

SNACKSHOP LCM3-LCM4
SNACKSHOP LCM3-LCM4
SNACKSHOP LCM3-LCM4
SNACKSHOP LCM3-LCM4
SNACKSHOP LCM3-LCM4

instruction manual for

SNACKSHOP LCM3-LCM4

AUTOMATIC



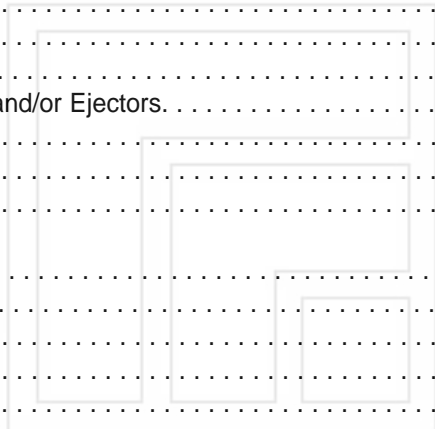
PRODUCTS

international, ltd.

75 WEST PLATO BOULEVARD • ST. PAUL, MINNESOTA 55107-2095

Part #460625
Form 11/00

	Page
WARRANTY	ii
OPERATION GUIDE	iii
CAPACITIES (LCM3).....	1
CAPACITIES (LCM4)	2
UNPACKING	3
INSTALLATION.....	4-6
PROGRAM OPERATION	7-8
COMPONENTS	
1. Power Supply	8
2. Changers	8
3. Force Vend	8
4. Controller Board	8
5. Mode Switch.....	8
6. Operate Mode	8-9
7. Selection Panel.....	9
8. Vend Motors	9
9. Lighting System	9
10. Main Product Shelves	9
11. Delivery Bin	9-10
12. Vend Can Motors	10
13. Cooler Assembly	10
14. Removal of Can Dispensing Unit.....	10
15. Removal of Gum and Mint Motor and/or Ejectors.....	10
16. Chilled Air Machine	10
17. Removal of Cooling Unit	10
CLEANING	11
OPTIONAL EQUIPMENT	
1. Ventilating Fan	11
2. Special Spirals	11
3. Soup Dispenser	11
4. Dollar Bill Validators	11
5. Can Storage Tray	11
PARTS LIST	
1. Door-Outside Front	13-14
2. Door-Inside Front	15-16
3. Cabinet	17-22
4. Snack Shelf	23-24
5. Candy Shelf	25-26
6. Convertible Shelf	27-28
7. Gum and Mint Shelf (LCM3)	29-30
8. Delivery Bin	31-32
9. Refrigeration Assembly	33-34
10. Condensing Unit Assembly	35-36
11. Cooler Door Assembly	37-38
12. Cooler Unit	39-40
13. Cold Control/Timer Assembly	41-42
14. Can Door Assembly	43-44
15. Vend Motor Assembly	45-46
16. Main Junction Box	47
17. Main Junction Box, Export	48
18. Door-Front Panels and Stylings	49-55
19. Connectors	56
20. Chilled Machine Supplement - LCM3 Only	57-60
CONNECTOR PIN OUTS	61
TROUBLE SHOOTING CHART.....	62-63
MULTI-DROP BUS ERRORS.....	64
SCHEMATICS	69-73



This document is available free of charge to our customers at www.automaticproducts.com

WARRANTY

Automatic Products international ltd. (APi) expressly warrants these automatic merchandisers (the "Unit"), manufactured by it, to be free under normal use and service from defects in material or workmanship for a period of two (2) years from the date of delivery of this Unit to the original purchaser. This warranty extends only to the original purchaser of the Unit. The exclusive remedy for this warranty is limited to the repair or replacement, at APi's sole option, of any part or parts of the Unit that are returned to APi or to the authorized dealer or distributor of APi from whom the unit was purchased with all transportation charges prepaid, and which, on APi's examination, shall, conclusively appear to have been defective. This warranty does not:

- a. extend to any Unit, or part thereof, that was subjected to misuse, neglect, or accident by other than APi after its delivery to the original purchaser;
- b. extend to any Unit, or part thereof, that was modified, altered, incorrectly wired or improperly installed by anyone other than APi or used in violation of the instructions provided by APi;
- c. extend to a Unit which has been repaired or altered by anyone other than APi or authorized dealer/distributor;
- d. extend to a Unit which has had the serial number removed, defaced or otherwise altered;
- e. extend to plastic or glass windows, lamps, fluorescent tubes and water contact parts;
- f. extend to any unit used outdoors;
- g. extend to accessories used with the Unit that were manufactured by some person or entity other than APi.

APi DISCLAIMS ALL OTHER WARRANTIES OF ANY KIND AS TO THE UNIT AND ALL WARRANTIES OF ANY KIND AS TO ANY ACCESSORIES. THIS DISCLAIMER OF WARRANTIES INCLUDES ANY EXPRESS WARRANTIES OTHER THAN THE LIMITED WARRANTY PROVIDED ABOVE AS TO THE UNIT AND ALL IMPLIED WARRANTIES OF MERCHANTABILITY AND FITNESS FOR A PARTICULAR PURPOSE AS TO THE UNIT AND ANY ACCESSORIES. UNDER NO CIRCUMSTANCES SHALL APi BE RESPONSIBLE FOR ANY INCIDENTAL, CONSEQUENTIAL OR SPECIAL DAMAGES, LOSSES OR EXPENSES ARISING FROM OR IN CONNECTION WITH THE USE OF, OR THE INABILITY TO USE, THE GOODS FOR ANY PURPOSE WHATSOEVER.

APi or any other person is authorized to assume for APi, or agree to on behalf of APi, any other liability or warranty in connection with the sale of this unit.

APi reserves the right to make any changes or improvements in its products without notice and without obligation, and without being required to make corresponding changes or improvements in Unit theretofore manufactured or sold.

Snackshop LCM has been designed from superior engineering and with quality throughout. It has been built of rugged construction for many years of reliable trouble-free operation. (Note: For indoor use only.)

All equipment manufactured by Automatic Products int'l ltyd. is designed to work properly in a temperature range of 10°C to +50°C (50°F to 104°F) in still air (75% R.H. non-condensing). The unit is capable of being stored in a temperature range of -18°C to +68°C (0°F to 155°F), provided proper precautions are taken for machines that contain a water system to prevent physical damage to components due to freezing, and that the machine is not stored on direct sunlight.

To achieve the most economical trouble-free operation from your Snackshop LCM, it is recommended that this service manual be thoroughly read and instructions followed pertaining to all loading and servicing, etc., of the vendor.

Should you have any questions pertaining to this manual or the vendor, please contact your local Automatic Products Company distributor or write directly to:



75 WEST PLATO BLVD. • ST. PAUL, MINNESOTA 55107-2095

CONTROL-SETUP AND OPERATION

PRESS MODE SWITCH ONCE TO ENTER SERVICE MODE.
THEN PRESS APPROPRIATE BUTTON ON
DOOR FRONT SELECTION PAD.

COIN DISPENSING

PRESS NO.1 - PRESS [A] DISPENSES 25¢ COIN
PRESS [B] DISPENSES 5¢ COIN
PRESS [C] DISPENSES 10¢ COIN
PRESS [D] DISPENSES \$1.00 COIN

ACCOUNTABILITY

PRESS NO. 3 - PRESS [A] TOTAL VEND COUNT
PRESS [B] TOTAL CASH
PRESS [C] TOTAL CAN VENDS
PRESS [D] TOTAL CASH CANS

PRICE SETTING

PRESS NO. 4 - (DISPLAY WILL SHOW "PRC")
PRESS SELECTION TO BE PRICED
PRESS ▲ BUTTON TO INCREASE PRICE
PRESS ▼ BUTTON TO DECREASE PRICE
THIS MUST BE DONE FOR EACH
SELECTION TO BE PRICED.
NOTE: PRICING "00" IS FREE VEND.

TEST VEND

PRESS NO. 5 - (DISPLAY WILL SHOW "SLCT")
PRESS DESIRED SELECTION
TO BE TEST VENDED.

VEND MODE

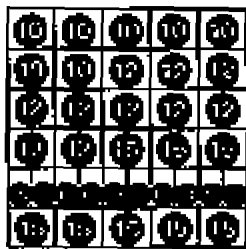
PRESS [E] - (DISPLAY WILL SHOW "OPTN")
PRESS [A] - FORCE VEND YES OR NO
PRESS [B] - BILL ESCROW YES OR NO
PRESS [C] - MULTI-VEND YES OR NO
PRESS [D] - CANNED DRINK YES OR NO
PRESS [F] - FREE VEND YES OR NO
IF FREE VEND IS ON YES ENTIRE MACHINE
WILL FREE VEND IF BUTTON NO. 5 IS
PRESSED THEN ANY SELECTION MADE.

EXIT FROM SERVICE MODE

PRESS MODE SWITCH OR MACHINE
WILL EXIT AUTOMATICALLY AFTER
30 SECONDS.

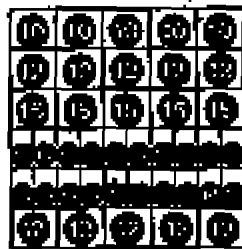
capacities - LCM3

Unless otherwise specified machine will be shipped with spiral assortment shown below.
 Figures in circles represent capacities in each spiral.



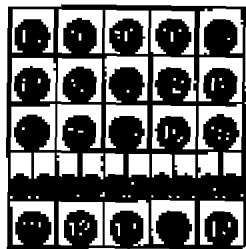
MODEL LCM3-836

Capacity as shown: 502 units



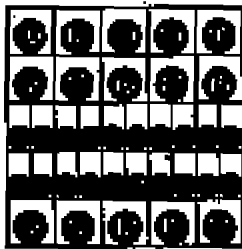
MODEL LCM3-840

Capacity as shown: 617 units



MODEL LCM3-830

Capacity as shown: 437 units



MODEL LCM3-835

Capacity as shown: 551 units

PRODUCT SIZE CAPABILITY

Shelves	Height	Width of Snack Shelves Only	Width of Candy Shelves Only	Depth of Snack Spirals Only Choice:	Depth of Candy Spirals Only Choice:
Top	7 1/4"	2 1/4" to 5 1/4"	1" to 2 1/4"	6-Item Spiral 3 1/2"	8-Item Spiral 2 3/4"
Second	7 1/4"	2 1/4" to 5 1/4"	1" to 2 1/4"	7-Item Spiral 2 5/8"	7-Item Spiral 2 1/2"
Third	8 1/4"	2 1/4" to 5 1/4"	1" to 2 1/4"	10-Item Spiral 1 3/4"	9-Item Spiral 1 7/8"
Fourth	7 1/4"	2 1/4" to 5 1/4"	1" to 2 1/4"	12-Item Spiral 1 5/8"	10-Item Spiral 1 3/4"
Fifth	8 1/4"	2 1/4" to 5 1/4"	1" to 2 1/4"	15-Item Spiral 1 7/8"	12-Item Spiral 1 3/4"
Six	8 1/4"	2 1/4" to 5 1/4"	1" to 2 1/4"	18-Item Spiral 1"	15-Item Spiral 1 3/4"
				30-Item Spiral 1 1/2"	18-Item Spiral 1 1/2"
				40-Item Spiral 1 1/4"	24-Item Spiral 1 1/4"
					30-Item Spiral 1"
					40-Item Spiral 3/4"

Ten selection shelves for candy and other narrow items fit on all three positions.
 six positions.

Spiral of one item capacity can be freely interchanged with any other of the same diameter.

Boxed items may need slightly larger clearances to vend properly.

Movable spacers available to adjust widths to ranges shown in each selection.

Gum-and-Mint Capacity. It is difficult to determine the true capacity due to variations of product size. The average capacity for the Gum-and-Mint Shelf is 170 items. LCM3s only.

LCM3 SPECIFICATIONS

HEIGHT: 72"

WIDTH: 38 3/8"

DEPTH: 35"

SHIPPING WEIGHT: 650 LBS., 750 LBS W/CHILLER UNIT

FLOOR SPACE REQUIRED: 9.5 SQ. FT.

SHIPPING CONTAINER SIZE: 72.5 CU. FT.

POWER REQUIREMENTS: LCM3 AMBIENT = 120 VOLTS, 60 HZ, 3 AMPS

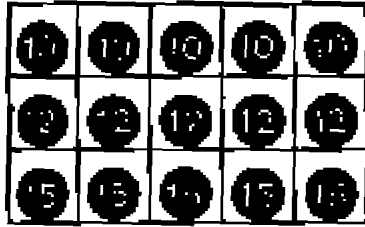
220/230/240 VOLTS, 50 HZ, 3 AMPS

LCM3 CHILLED = 120 VOLTS, 60 HZ, 12 AMPS

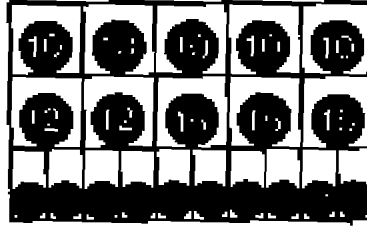
220/230/240 VOLTS, 50 Hz, 6 AMPS

SOUND LEVEL: NOISE LEVEL & OPERATION AT LESS THAN 70 dB(A)

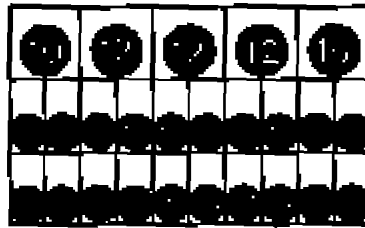
Unless otherwise specified machine will be shipped with spiral assortment shown below.
 Figures in circles represent capacities in each spiral.



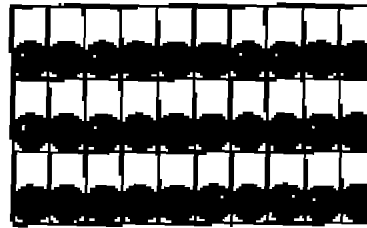
MODEL LCM4-315
 Capacity as shown: 185 units



MODEL LCM4-320
 Capacity as shown: 311 units



MODEL LCM4-325
 Capacity as shown: 433 units



MODEL LCM4-330
 Capacity as shown: 552 units

CAN COOL UNIT CAPACITIES

Top Shelf - 21 Cans Each
 5 Selections

 105 Total Units

Bottom Shelf - 15 Cans Each
 5 Selections

 75 Total Units

180 TOTAL

PRODUCT SIZE CAPABILITY

Shelf	Height	Width of Snack Shelves Only	Width of Candy Shelves Only	Depth of Snack Spirals Only Choices	Depth of Candy Spirals Only Choices
Top	7 1/4"	2 1/4" to 5 1/4"	1" to 2 1/4"	6-Item Spiral 3 3/4"	6-Item Spiral 2 3/4"
Second	7 1/4"	2 1/4" to 5 1/4"	1" to 2 1/4"	7-Item Spiral 2 3/4"	7-Item Spiral 2 1/4"
Third	8 1/4"	2 1/4" to 5 1/4"	1" to 2 1/4"	10-Item Spiral 1 3/4"	8-Item Spiral 1 1/4"
				12-Item Spiral 1 1/4"	10-Item Spiral 1 1/4"
				15-Item Spiral 1 3/8"	12-Item Spiral 1 1/4"
				18-Item Spiral 1"	15-Item Spiral 1 1/4"
				30-Item Spiral 3/4"	18-Item Spiral 1 1/4"
				40-Item Spiral 5/8"	24-Item Spiral 1 1/4"
					30-Item Spiral 3/4"
					40-Item Spiral 3/4"

Ten selection shelves for candy and other narrow items fit on all three positions.

Spiral of one item capacity can be freely interchanged with any other of the same diameter.

Boxed items may need slightly larger clearances to vend properly.

Movable spacers available to adjust widths to ranges shown in each selection.

LCM4 SPECIFICATIONS

HEIGHT: 72"

WIDTH: 38 7/8"

DEPTH: 35"

FLOOR SPACE REQUIRED: 9.5 SQ. FT.

SHIPPING CONTAINER SIZE: 72.5 CU. FT.

POWER REQUIREMENTS: LCM4 AMBIENT = 120 VOLTS, 60 HZ, 8 AMPS

220/230/240 VOLTS, 50 HZ, 4 AMPS

LCM4 CHILLED = 120 VOLTS, 60 HZ, 12 AMPS

220/230/240 VOLTS, 50 HZ, 6 AMPS

SOUND LEVEL: NOISE LEVEL & OPERATION AT LESS THAN 70 dB(A)


REFRIGERANT: R-134A, 9.5 OZ.

TEST PRESSURE: HIGH SIDE: 440 P.S.I.


LOW SIDE: 162 P.S.I.

SHIPPING WEIGHT: 730 LBS.

1. **Leveling the Machine** on location is important for the proper function of the machine. The four leveling screws in the legs are the means of leveling the machine. After positioning the machine, level machine in front to rear and right to left directions. After leveling, turn front right (lock side) leveling screw in about one-half turn to drop this corner slightly to make the door easier to close and lock.

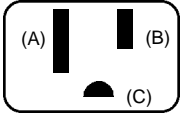


CAUTION: THIS MACHINE IS DESIGNED FOR INDOOR USAGE ONLY. ANY OTHER USAGE MAY VOID THE MANUFACTURERS WARRANTY.



CAUTION: THE FOLLOWING PROCEDURE REQUIRES THAT THE MACHINE HAVE POWER APPLIED AND A POTENTIAL ELECTRICAL SHOCK HAZARD EXISTS.

2. **Voltage and Polarity Check.** It is important that this machine is hooked up to the proper voltage and polarity. Using a voltmeter, perform the following checks from the illustration shown.

A. C. HOT	(B)		(A) to (B) = 120 VAC ($\pm 10\%$)
A. C. NEUT	(A)		(A) to (C) = less than 1 VAC
EARTH GROUND	(C)		(B) to (C) = 120 VAC ($\pm 10\%$)

NOTE: Should the readings be different from above, have a certified electrician correct the problem.

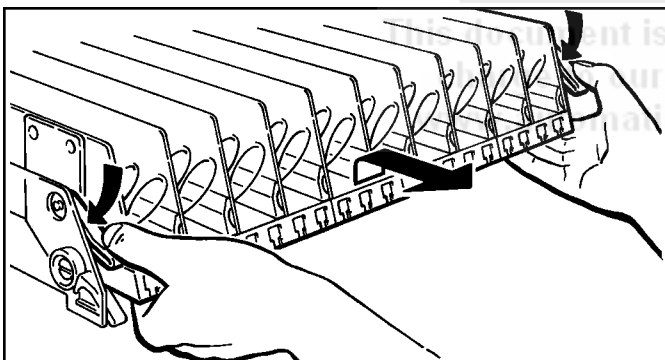


Figure 1. Moving shelf to loading position

3. **Loading Snack Shelves.** Open door to full open position, push down on white and gray plastic lock levers (Figure 1.) on right side panel by shelf to unlock shelf, holding lever down. Grasp the shelf slightly and pull forward until shelf reaches its stop. The shelves tilt down (do not drop) to make loading easier. **Only one product shelf should be in the loading position at a time.** When returning a shelf, be sure the shelf is in its full home or vend position. Begin loading with the top shelf. Move it to the loading position. The height spacing for items is greatest in this shelf and the tallest bagged items should be placed there. Soft items, such as pastry, pies, etc., should be placed in the lowest snack shelf, making the drop distance as short as possible.

IMPORTANT: Product must not be forced into the spiral spaces but should fit freely. If the product is too tight, use a larger pitch spiral. The bottom of the product should be placed on top of the spiral wire that rests on the shelf surface. (Figure 2.) The width of the product must be greater than the diameter of the snack spiral. If it is smaller, the product may fall through when it is in the front, ready to vend position.

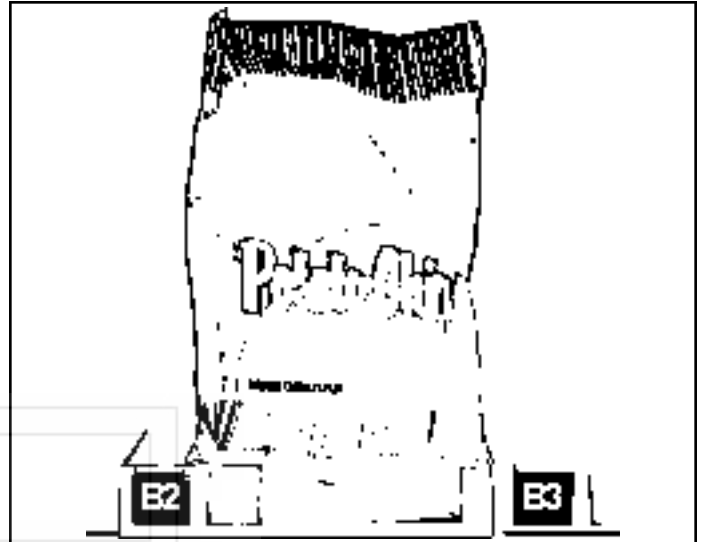


Figure 2. Placement of product on main product snack shelves and front end position of spiral.

4. **Removal of Spiral.** Grasp the front of the spiral and turn it clockwise. Lift the spiral up and off of the spiral lock and turn the spiral counterclockwise to lock it in place. Be sure the front end of the spiral is positioned properly (with the front end of the spiral pointing downward on the left side). (Figure 3.) The spiral lock is attached between the spiral retainer tabs. Give a light forward pull on front of the spiral to check if it is locked in place.

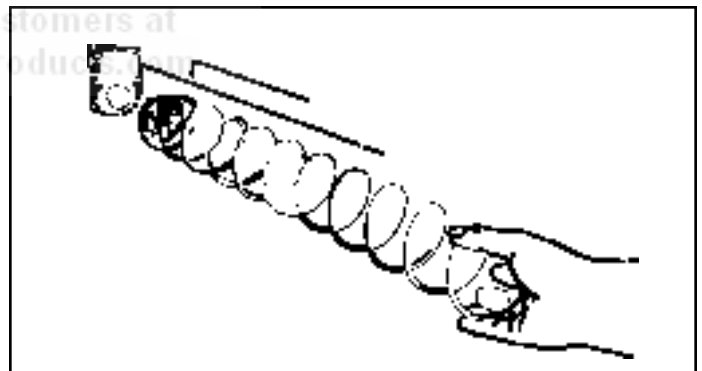


Figure 3. Removing and installing spiral.

5. **Product Spacers, 5-Selection Shelf.** A product spacer is used to reduce the width of the product area and should be used on any 5-selection snack shelf where the product width is 4-1/2" or less. Spacers should fit within 1/8" of the product but should not fit tight against the product. There are three positions in each snack space where these spacers can be placed. To install the spacer, align the lock ears (on the lower edge of the spacer) with one of the three sets of slots (one front and one rear). (Figure 4.) Push the spacer to the rear to allow the ears to enter the slots, then allow the spacer to move forward. Be sure the ears are in the same set of slots,

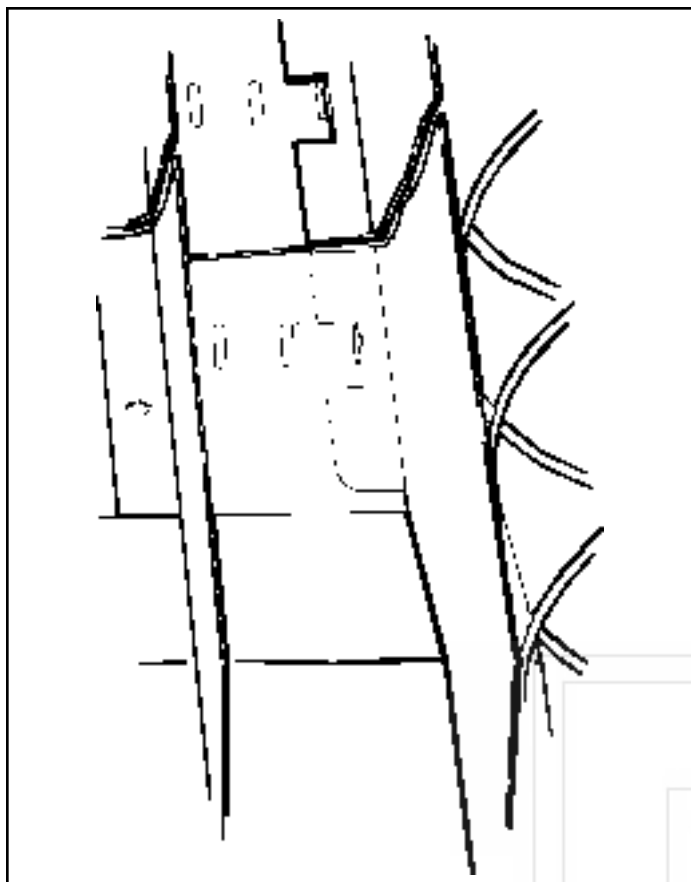


Figure 4. Alignment of moveable product spacers.

front and rear. (Figure 4.) Continue loading all spirals. Adjust with spacers where needed in the top shelf. Return the top shelf to the vend position and following this procedure, load the remainder of the large spiral shelves. The shelf divider separating the right (lock side) column from the next column is movable to allow vending of products wider than 5-1/2" in the second column. If this is used, the right column must be used to vend narrower products.

6. Loading Main Product Candy Shelves. The 10-selection (candy type) shelves are loaded similar to the 5-selection shelves, except that, the bottom of the product sits on the shelf in front of the spiral wire (Figure 5.) that rests on the shelf. These products must also fit properly in the spiral space. **Do not force product into spiral.** These spirals are removed and installed the same as the large spiral (Figure 3.), except that, the front end position is different (approximately 5 o'clock) (Figure 5.) and the front left side of the spiral must be behind the small tab located on the left side of the product space side wall. (Figure 5., Detail A)

7. Product Spacers, 10-selection shelf. The 10-selection shelves are equipped with a product spacer (Figure 6.) that can be pivoted from the right side of each product space. These spacers should be pivoted out to hold the product upright, but not tight against the product. Leave about 1/8" clearance between the spacer and the product.

8. Product Pusher. The machine contains enough pushers for you to install a pusher on each candy spiral. This plastic part is designed to push the top of the product forward while it is vending, helping it to fall from the shelf. It can also be used with products that have the wrapper end flap on the outside of the package. In this case, the pusher prevents these prod-

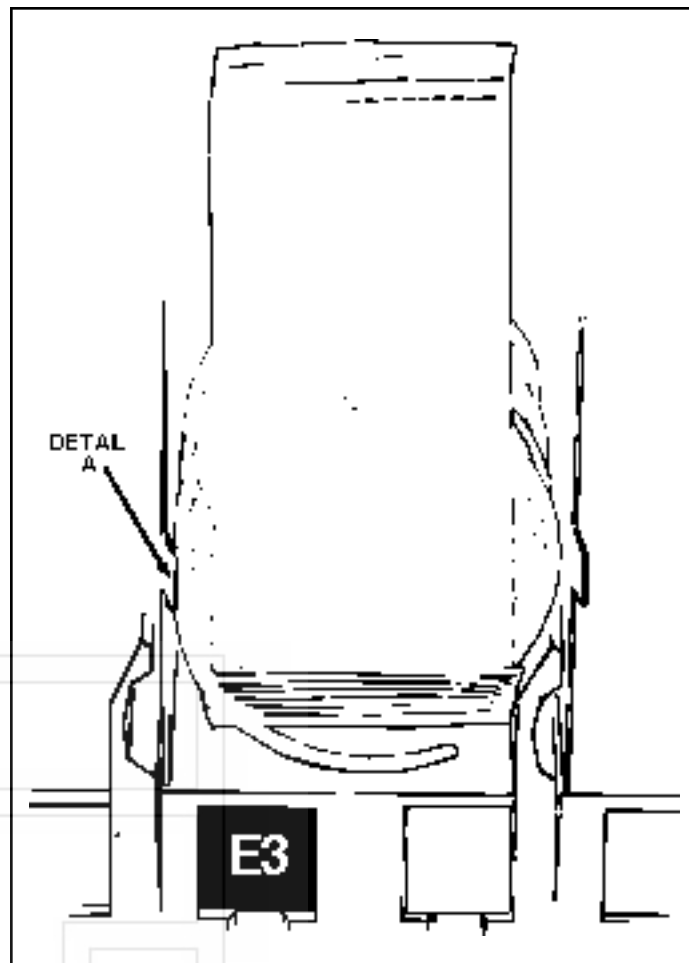


Figure 5. Placement of product on main product candy shelves and front end position of spiral.

ucts from hanging on the spiral by spreading the flap. The pusher is installed approximately 210 degrees from the front end of the spiral with the tab extending forward. (Figure 7.) Locate the pusher in its proper position, hold it against the spiral wire and push the semi-circular part around the spiral wire.

9. Bagged or Boxed Items in the 10-selection shelves, if not loaded properly, could be a problem. The sealed edge of the bag may get under the spiral wire causing the product to hang up after it has been vended. It is recommended that the lower edge of these types of product be folded forward and up (Figure 8.) next to the product before inserting into the spiral space. It is also recommended to use an 18 count spiral for bagged items because of the product settling to the bottom of the package.

10. Cigarette Vending from Snackshop LCM4. Cigarettes can be vended from the candy shelves using the 15 capacity spiral for the soft pack regular, king, 100mm or 120mm packs. The 12 capacity spiral should be used for box packs.

11. Lock Product Shelves. After all the product has been loaded, be sure all shelves are returned to their vend position behind the front roller guide.

12. Install Proper Price Tabs into price tab holder for each selection in the main product area. (Figure 9.)

13. Loading Cans. The machine is set for 12 oz. cans only. There are 10 can selections total in the machine. The top 5

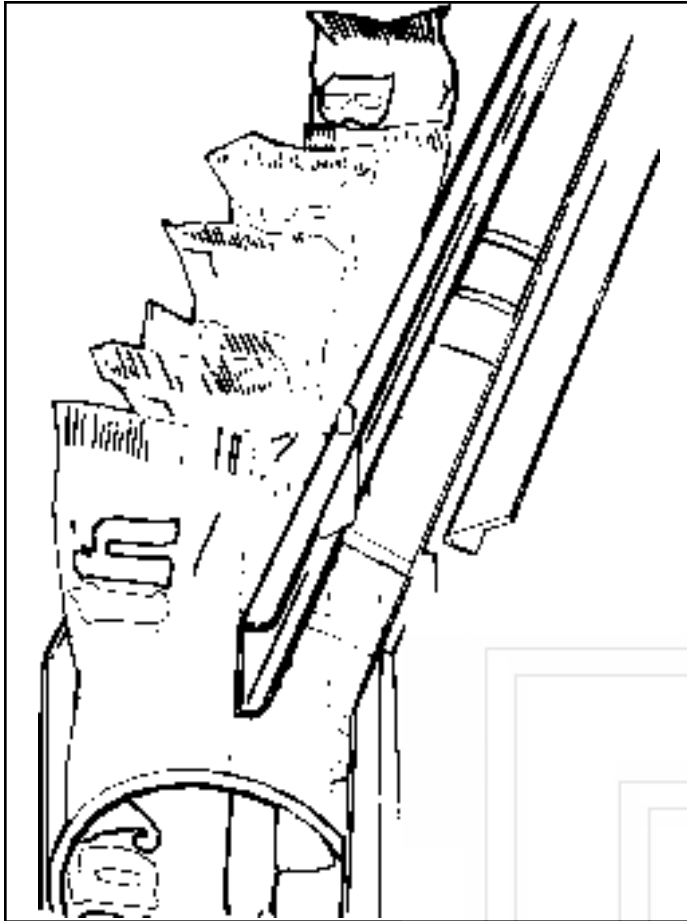


Figure 6. 10-selection shelf product spacer positioned to hold candy upright.

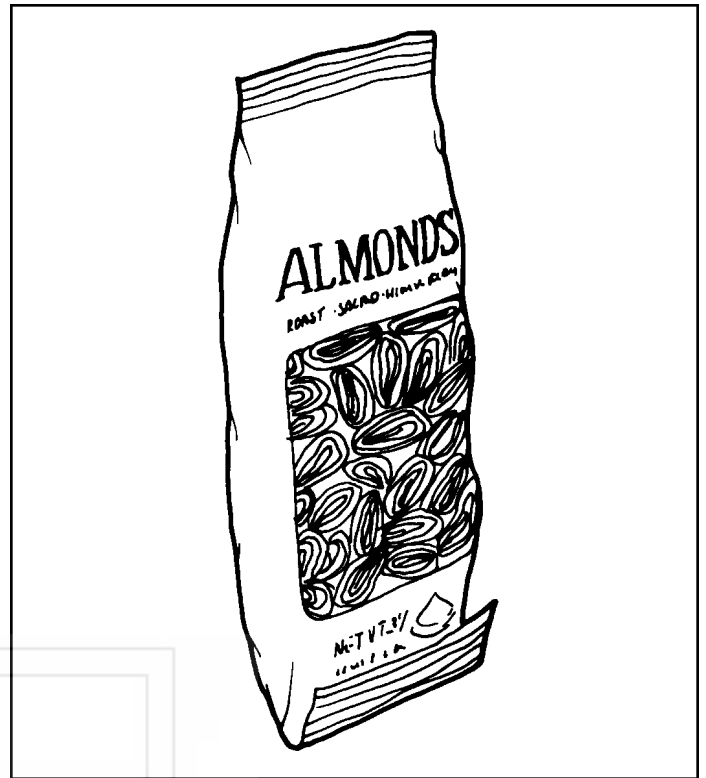


Figure 8. Fold bagged items bottom edge forward and up.

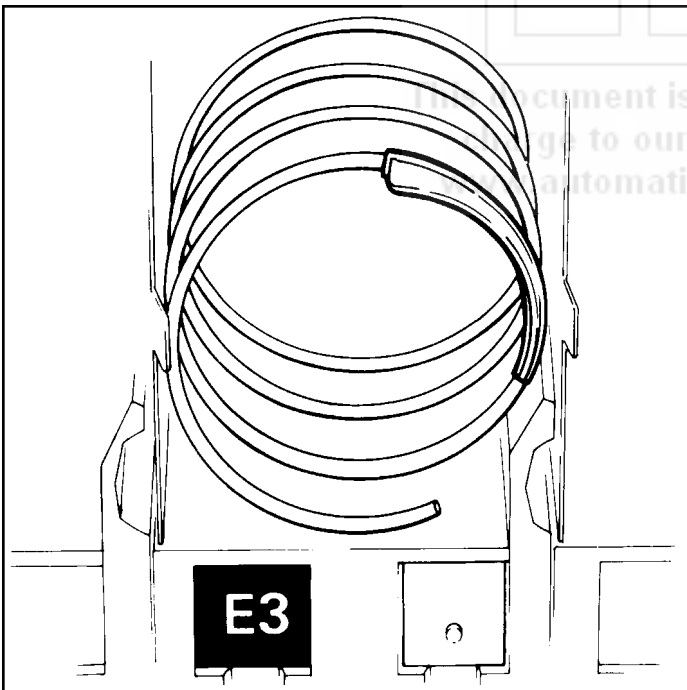


Figure 7. Location of product pusher on spiral.

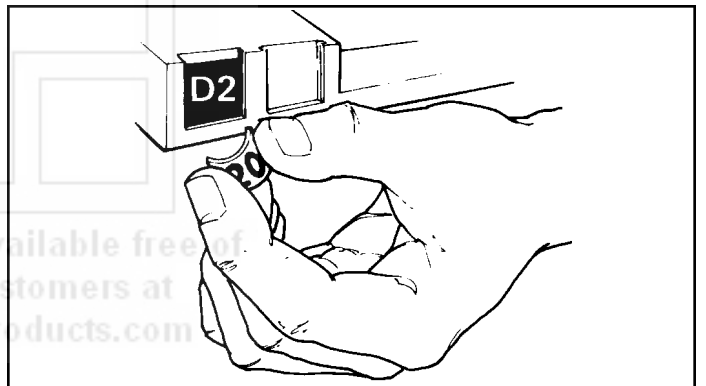


Figure 9. Installing price tabs.

selections hold 21 cans each and the bottom 5 selections hold 15 cans each. When loading the top cans there is a latch (See page 21, Item 20.) you can use to hold the door open for easier use.

program operation



CAUTION: THE FOLLOWING PROCEDURE REQUIRES THAT THE MACHINE HAVE POWER APPLIED AND A POTENTIAL ELECTRICAL SHOCK HAZARD EXISTS.

1. **Control-Service Mode.** The Service mode is entered by pressing and releasing the mode button located on the component side of the controller. A second depression of the mode button will exit the service mode and return the controller to the Sales mode. If a period of no keypad activity occurs for 25.5 seconds, the controller will automatically revert to the Sales mode.

Upon entering the Service mode, diagnostics will be displayed by the controller until an additional Service mode function has been selected. Diagnostics include the number of configured motors and defective or jammed motors.

Entrance to the Service mode clears the current credit and disables all credit acceptance (except for Protocol A devices, here the VMC is the slave and must not modify credit acceptance/accumulation). Selection motors are automatically configured upon power up, reset and exiting Service mode. The following list of functions are available while in the Service mode.



CAUTION: THE FOLLOWING PROCEDURE REQUIRES THAT THE MACHINE HAVE POWER APPLIED AND A POTENTIAL ELECTRICAL SHOCK HAZARD EXISTS.

2. **PRESS #1 - Coin Dispense Mode.** Coins are dispensed from the inventory tubes by pressing key #1. The controller will display "coin" and wait for an additional key to be pressed as follows:

- Pressing [A] dispenses the left coin tube (25¢)
- Pressing [B] dispenses the middle coin tube (5¢)
- Pressing [C] dispenses the right coin tube (10¢)
- Pressing [D] dispenses the fourth coin tube (\$1 coin)

To exit this mode, press another function key or leave the service mode pressing the mode switch.



CAUTION: THE FOLLOWING PROCEDURE REQUIRES THAT THE MACHINE HAVE POWER APPLIED AND A POTENTIAL ELECTRICAL SHOCK HAZARD EXISTS.

3. **PRESS #3 - Accountability Mode.** Vend count and cash total accountability will be displayed by pressing key [3]. The controller will display "Acct" and wait for an additional key to be pressed as follows:

- a. Press button [A] to display total vend count. The vend counter will be eight digit numbers displayed as the upper four for 2 seconds followed by the lower four for 2 seconds.

Example: Displays "0001" (1st upper four #'s)
Displays "0025" (2nd lower four #'s)
"0001" together with "0025" = 10,025 vends.

- b. Press button [B] to display total cash sales. The cash

counter works the same way as step "a" above, except the last two digits will have a decimal point in front indicating cents.

Example: Displays "0002" (1st upper four #'s)
Displays "01.20" (2nd lower four #'s)
"0002" together with "01.20" = \$201.20 total cash sales.

NOTE: The digital vend counter will rollover after 99,999,999 and the cash counter will rollover after \$999,999.95.

- c. Press button [C] to display total can vend counts. The display will show total cans vended the same way as step "A".
- d. Press button [D] to display total can cash sales. The cash counter works the same way as step "B" above.
- e. To exit this mode, press another function key or leave the service mode by pressing the mode switch.
- f. Press button [D] to display bill. Press [D] again. IMPORTANT!! Must be set on 20 for 5¢ increments.



CAUTION: THE FOLLOWING PROCEDURE REQUIRES THAT THE MACHINE HAVE POWER APPLIED AND A POTENTIAL ELECTRICAL SHOCK HAZARD EXISTS.

4. **PRESS #4 - Price Set Mode.** To begin the price setting procedure, press key [4]. The controller will display "Prc" and wait for a selection to be entered. Once the selection is entered, the current price will be displayed. The price can now be increased with the scrolling up (▲) button or decreased with the scrolling down (▼) button. (Figure 10.) The maximum price can be set to \$99.95. Setting a selection price to "0.00" will put it on free vend.

Step Procedure.

- a. In the Service mode, press [4] (displays "Prc").
- b. Press selection item to be priced (displays current price "xx.xx").
- c. Using the up (▲) or down (▼) buttons will change to the price desired. (Figure 10., Page 9.)
- d. Repeat steps "b" and "c" to price another selection.
- e. To exit this mode, press another function key or leave the Service mode by pressing the mode switch.



CAUTION: THE FOLLOWING PROCEDURE REQUIRES THAT THE MACHINE HAVE POWER APPLIED AND A POTENTIAL ELECTRICAL SHOCK HAZARD EXISTS.

5. **PRESS #5 - Test Vend Mode.** To test vend a single selection, press key [5]. The controller will display "SLct" and wait for a selection to be entered. Once the selection is entered, a vend of the motor will be attempted. If the vend is successful, the controller will blank the display and exit the test vend mode. If the selected motor fails, the controller will display "FAIL" for 2 seconds and then exit.

Step Procedure.

- a. In the Service mode, press [5] (displays "SLcT").
- b. Press the motor selection to test vend (machine will display selection and cycle motor unless vend test fails, which would display "FAiL").
- c. To test vend other selections, press [5] and repeat steps "a" and "b".
- d. To exit this mode, press another function key or leave Service mode by pressing the mode switch.

NOTE: Test vending a selection that had failed previously, will reset if the motor successfully completes a vend cycle.



CAUTION: THE FOLLOWING PROCEDURE REQUIRES THAT THE MACHINE HAVE POWER APPLIED AND A POTENTIAL ELECTRICAL SHOCK HAZARD EXISTS.

PRESS #6 - Diagnostic Vend Test. This feature can be used to test vend all configured motors within the machine before installing on location. The controller will display each selection as a vend attempt is made. If the vend is successful, the controller will continue on with the next selection. If the selected motor fails the controller will display "FAIL" for 2 seconds and then continue. When a vend attempt on all motors has been completed, the controller will blank the display and exit the test vend mode. To exit this mode, press another function key and hold until the current vend is completed or exit the Service mode.

6. **Vend Option Mode.** To enter the vend option mode, press key [E]. The controller will display "OPtn" and wait for additional key to be pressed for following features:

- a. Press key [A] - **Force Vend.** (displays "FrcY" or "Frcn")
Press key [A] again to toggle between force vend enabled ("FcrY") and force vend disabled ("Frcn").
- b. Press Key [B] - **Escrow Enable.** (displays "EScY" or "EScn")
Press key [B] again to toggle between escrow enable ("EScY") or escrow disable ("EScn").

The escrow enable option allows the validator to return a bill inserted by a customer who changes their mind. The bill inserted will be held by the validator without being stacked. When the coin return button is pushed, the bill is returned.

- c. Press key [C] - **Multi-Vend.** (displays "MuLY" or "MuLn")
Press key [C] again to toggle between multi-vend enable ("MuLY") or multi-vend disable ("MuLn").

The multi-vend option allows the customer the option to vend multiple items without reentering credit. Change will not be returned immediately after a vend and credit will remain on the display for up to 20 seconds. Escrow attempts will be valid at any time or change will be returned after 20 seconds of no vend activity.

- d. Press key [D] - **Can Drink.** (displays "CAnY")
Press key [D] again to toggle between "CAnY" and "CAN"

NOTE: The LCM4 machine should be set on "CAnY".

components



CAUTION: THE FOLLOWING PROCEDURE REQUIRES THAT THE MACHINE HAVE POWER APPLIED AND A POTENTIAL ELECTRICAL SHOCK HAZARD EXISTS.

1. **Power Supply.** The 120VAC power cord from the wall outlet comes into the machine and plugs into the back of the main junction box located on the bottom right side of the cabinet. The voltage output to the board is 24 volts and is plugged in the top right corner (P1 position).
2. **Changers.** The Snackshop LCM can use a variety of either Coinco or Mars changers. The machine is wired for only 24 volt models. The changers available are Coinco (9302L or 9302LF) and Mars (TRC-6010 or TRC-6010XV). In addition, control boards support MDB (Multi-Drop Bus) peripherals which include coin mechanisms, validators and card readers. MDB harness is P/N 680576.
3. **Force Vend.** When this menu is active, the display indicates "-FORCE VEND-N". Use the and keys to toggle the prompt between "N" and "Y". Depressing the **ENTER** key when the prompt is "Y" will enable the force vend option. If the prompt is "N", depressing the **ENTER** key will disable the force vend option. When the force vend option is enabled, once there is enough credit established to purchase the lowest priced item in the machine, the customer must purchase

at least one item prior to requesting that any remaining credit be returned. Force Vend overrides Bill Escrow enable. Force Vend does not apply when debit cards are used.

4. **Controller Board.** This module is located on the inside door (above selector panel) of the vending machine. The controller will govern all vending activity within the machine. It has the capability of driving eighty selections.
5. **Mode Switch.** The Snackshop LCM has only one mode switch that allows control of the machine functions. It is located on the control board. This switch will allow 6 modes of operation.
 1. Operate (vending mode)
 2. Change inventory
 3. Accountability
 4. Price setting
 5. Test vend
 6. Vend option
6. **Operate Mode.** The operate mode is when the machine is in the normal customer vending mode. The following steps explain the operation and sequence of events when making a vend.
 - a. Digital Display. During standby with no credit in machine, the digital display will show all zeros with a designated decimal point. When an alpha-numeric character is

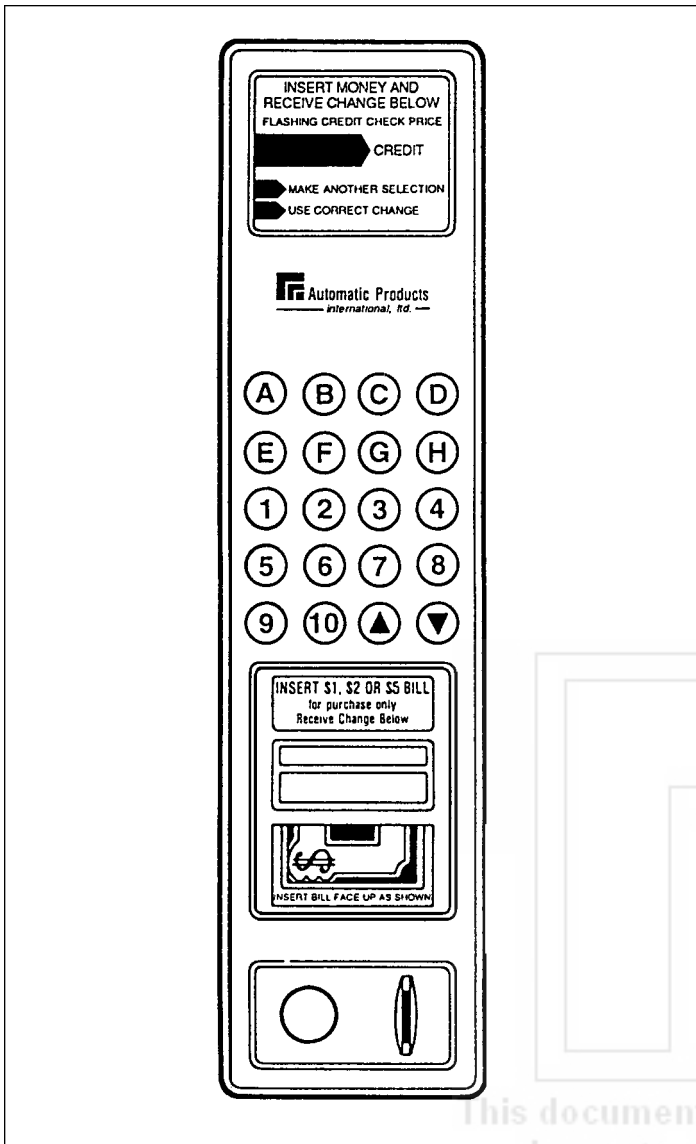


Figure 10.

pressed, this selection will be displayed.

- b. Credit Operation. Credit may be accumulated through either a coin changer or bill validator mechanism. Credit acceptance will disable when the accumulated credit equals or exceeds the highest priced item. If using an executive or "Protocol A" type coin mechanism, credit acceptance is controlled by the changer. The bill validator will be enabled when a combination of nickels and dimes, or nickels and quarters are available in the changer.
- c. Vend Process. After a keypad entry is made, the controller will determine if sufficient credit is available and the status of the selection. If the accumulated price and the motor is present, a vend attempt will be made for that selection. During this time, the selection will be shown on the display. If credit is less than the selection price, the price will be flashed for 3 seconds or until an alpha key is pressed. If the motor is flagged as bad, the selection and the "MAKE ALTERNATE SELECTION" LED will be flashed for 3 seconds or until an alpha key is pressed.
- d. Change Payment. Following a successful vend, the amount of change to be returned will be displayed for 2 seconds or until all coinage is paid back. A least coin

payout algorithm will be implemented.

- e. Use Correct Change LED. If the changer's least value coin tube is empty, the "USE CORRECT CHANGE" LED will be illuminated continuously.
7. **Selection Panel.** The selection panel (Figure 10., Page 9.) on the Snackshop LCM incorporates that use of a self enclosed membrane switch panel. This eliminates the need for individual switches and wiring. The membrane switch panel is housed in a panel with individual buttons protecting the switch face. The panel front also houses the display lens. The display lens gives instructions to the customer for 2 conditions which might occur (make another selection/use correct change). The display lens also contains 3 LED lights.
8. **Vend Motors.** The Snackshop LCM incorporates the use of a high RPM DC motor. Due to new design, the vend motor may no longer be homed by hand. **DO NOT TRY TO TURN THE SPIRALS BY HAND. DAMAGE TO THE MOTOR WILL RESULT.** It is also important to check polarity before applying current to the motor. 2 diodes and a capacitor are used to prevent circuit feedback and may have to be checked when trouble shooting motor problems.

NOTE: Use black color motor ONLY

9. **Lighting System.** There is only 1 fluorescent lamp in the Snackshop LCM. The lamp is located on the top, inside of the door which lights up the main product area. The starter is located on the hinge side of the lamp. The ballast and line filter is located on the top, front, left shelf support.
10. **Main Product Shelves.** There are three main product shelves per machine. Each containing either 5 or 10 selections. Each selection has its own motor mounted to the back of the shelf. Every shelf has its own harness and plug for connecting to the remainder of the circuit through the cabinet receptacle, located in the right, rear of the cabinet. The motors are the same on either type shelf. It is now possible in the Snackshop LCM to exchange a 5selection shelf with a 10-selection shelf or vice versa. You also have the capability to gain 1/2" either up or down on any shelf. To do this, the shelf should be removed and the cabinet back harness receptacle lowered or raised with the right and left shelf tracks.

NOTE: When exchanging the shelves, you will not need any parts, but you will have to reprogram the machines for prices and selections.

Removing Product Shelf.

- a. Lift up and push the lock levers toward the back of cabinet. (Figure 1., Page 3.)
 - b. Pull shelf to its loading position.
 - c. Grasp shelf in front and rear center. Lift front of shelf up above horizontal and pull shelf forward while lifting.
 - d. To install shelf, reverse above procedure.
11. **Delivery Bin.** This is located below the display window on the door and is mechanically operated. The linkage on the outside end of the delivery bin may require occasionally lubrication. Should the door become difficult to operate, place a small amount of grease on the arm tracks.



Removing Delivery Bin.

a. Remove the screws from the left and right bracket of the delivery bin. These screws fasten into the lower door brace and remove the screws and brackets at the top of the delivery bin.



b. Grasp delivery bin on both sides, lift up and pull back. Should bin be tight, rock it by lifting on one end, then the other.

Replacing Delivery Bin.

a. Locate lip on front edge of delivery bin, over lower edge of opening in door and behind trim. Press down along lip to make sure it is fully engaged between door and trim.

b. Install the 4 screws and 2 brackets, to secure bin to door.

12. Replacing Vend Can Motors or Sold-Out Switches.

Before replacing a vend motor, the selection must first be emptied of cans. When replacing any of the five motors on the bottom, you must also remove all the cans from the selection directly above it to remove the old motor.

a. Remove the cans using any of the following methods: setting the machine to test vend, setting the vend price to 00, or removing the link arm from the vend motor and ratcheting the cans out manually. Once the cans are removed turn the main power switch off.

b. Remove the third shelf from the machine.

c. Remove the two middle screws on top of the cooler door and lift the door off.

d. Remove the link arm (Page 45, /Item 15.) from the motor assembly.

e. Remove the three screws holding the motor support plate to the rack assembly and swing motor up and out to remove.

f. Remove the wires from the common terminal on the cycle microswitch and the small terminal on the motor.

g. To install motor, reverse above procedure.

13. **Cooler Assembly.** When placing a LCM4 machine at a location, **CAUTION** should be taken to keep adequate clearance in the rear and front bottom screens for proper circulation. The front screen assembly should be removed and cleaned regularly for proper operation of the refrigeration system.

IMPORTANT: Removal or damage of the screen can cause air flow problems resulting in damage to the refrigeration system.

The cold control is located inside the cooler unit on the bottom right corner (Page 41, Item 1) with the standard setting set on #4.

14. Removal of Can Dispensing Unit.

a. Remove the third shelf from the machine.

b. Remove the middle two screws from the top of the cooler door. (Page 35., Item 10.) Tilt the complete door assembly down and lift up for removal.

c. Remove the two "L" brackets holding the cooler assembly to the cabinet. (Page 39., Item 27.) Disconnect the two plugs from the right-hand side of the cooler unit.



d. Pull the can unit out. (Because of the weight, it is recommended that two persons complete this task.)

e. Remove the four corner screws (not shown) on can unit underside and one front center screw that attaches the can unit with the refrigeration unit.

f. Lift can unit off for exposure to the refrigeration unit.

15. Removal of Gum and Mint Motor and/or Ejectors.

Disconnect the two wires going to the motor and remove the four screws holding it to the shelf. The components attached to the front base can also be replaced. These consist of the gum and mint shelf front (Price tabs and selection), gum and mint shelf front base, gum and mint display front stop (plastic) and the gum and mint ejector.



NOTE: Before replacing the gum and mint motor, it would be helpful to tap the motor first with the screws. Assemble the four components together and mount them to the motor making sure that the head crank of the motor is inserted into the ejector. Replace the four screws and test vend that selection for proper operation.

16. Chilled Air Machine.

When placing a chilled machine at a location **CAUTION** should be taken to keep adequate clearance in the rear and front bottom screen for proper circulation. The front vent screen assembly should be removed and cleaned periodically for proper operation of the refrigeration system.

NOTE: The cold control setting (Page 47., Item 7.) should be set on the #4 position.

17. Removal of Cooling Unit - LCM3 Only.

Replacing a cooling unit can be done by removing the two screws from the Air Duct Support Bracket. Then, lift the air duct up and out of the cooling unit. Remove the two screws in the bottom of the cooling pan located to the right and next to the blower. Remove the two screws. The cooling unit can now be pulled straight out from the angle guides. Reverse the procedure to put the cooling unit back in the machine.



cleaning

The Snackshop LCM will do the best merchandising job for you if it is kept clean. The display window can be cleaned with any good glass cleaner. The exterior and interior surfaces should be cleaned with warm water and mild detergent. Rinse thoroughly and dry all surfaces.

CAUTION:

Do not use any cleaners containing silicon, as this could cause electrical failures.

The main product shelves can be best cleaned with the spirals and product spacers removed. Refer to page 4. for removal of spirals and page 5. for removal of the product spacer.

Clean the acceptor on the changer frequently, accumulated dirt in this area can cause coins to hang or not be accepted. Follow recommended cleaning procedures as described by the manufacturer.

IMPORTANT:

Can Vendor: clean the refrigeration screen (Page 57, Item 6.) weekly to prevent voiding the warranty on the refrigeration unit.

optional equipment

1. Ventilating Fan: (Part #660441 - 120 volts)
(Part #660441 - 230 Volts)

The ventilating fan keeps a steady flow of air moving through the vendor cabinet. Installation of the fan takes only a few minutes. All the vendors are wired with a fan plug on the junction box for easy installation.

2. Special Spirals. Special candy spirals are available for use in the 5-selection snack shelves. For the sake of identification, the back end of these spirals are colored RED and should never be used in the 10-selection candy shelves.

These spirals allow vending products that are too wide for the standard candy columns, but, may be too thin for the regular snack spirals. A product pusher and spacer should be used where required. Part numbers for these special spirals are as follows:

- 400139-1 12 space special spirals
- 400140-1 15 space special spirals
- 400141-1 18 space special spirals
- 400142-1 24 space special spirals
- 400143-1 30 space special spirals
- 400151-1 20 space special spirals

NOTE: The difference between the standard candy spiral and the special candy spiral used in the wide snack columns is in the overall length of the spiral. The special spiral is shorter than the standard candy spirals.

CAUTION:

Do not attempt to use the special candy spirals in a 10 selection shelf.

3. Soup Dispenser LCM (Kit 750083)

A canned soup dispenser is available as an option for use in the 5-selection snack shelves. The dispenser is easy to install and holds up to nine cans in the unit.

4. Dollar Bill Validators & Changers. The validators & changers take only a few minutes to install and may be purchased through the manufacturer of the unit. LCM machines will only use 24 volt validators & changers.

Coin Mechs

24 Volt models - 15 pin plug only

- Mars TRC-6010XV
VN-4010
- Coinco 9302LF
- Conlux USLX-004-01F

Multi Drop Bus (MDB)

- Mars TRC-6510
VN-4510
- Coinco 9302GX
- Conlux USLZ-004-01F

Bill Validators

24 Volt models - Micromech

- Mars VFM1-L2-U4C
VFM3-L2-U4C
VN-2502-U5E
- Coinco BA32SA
BA32R

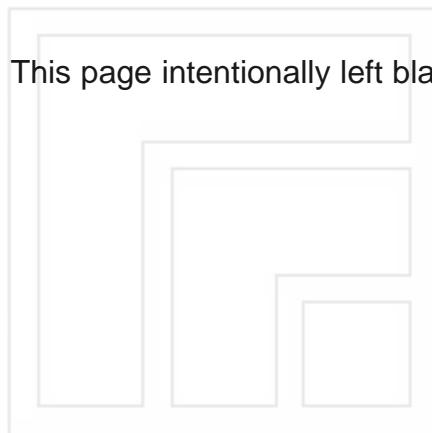
Multi Drop Bus (MDB)

- Mars VN-2502-U5M
- Coinco BA32SA
BA32R

5. Can Storage Tray (Kit 750184) LCM 4

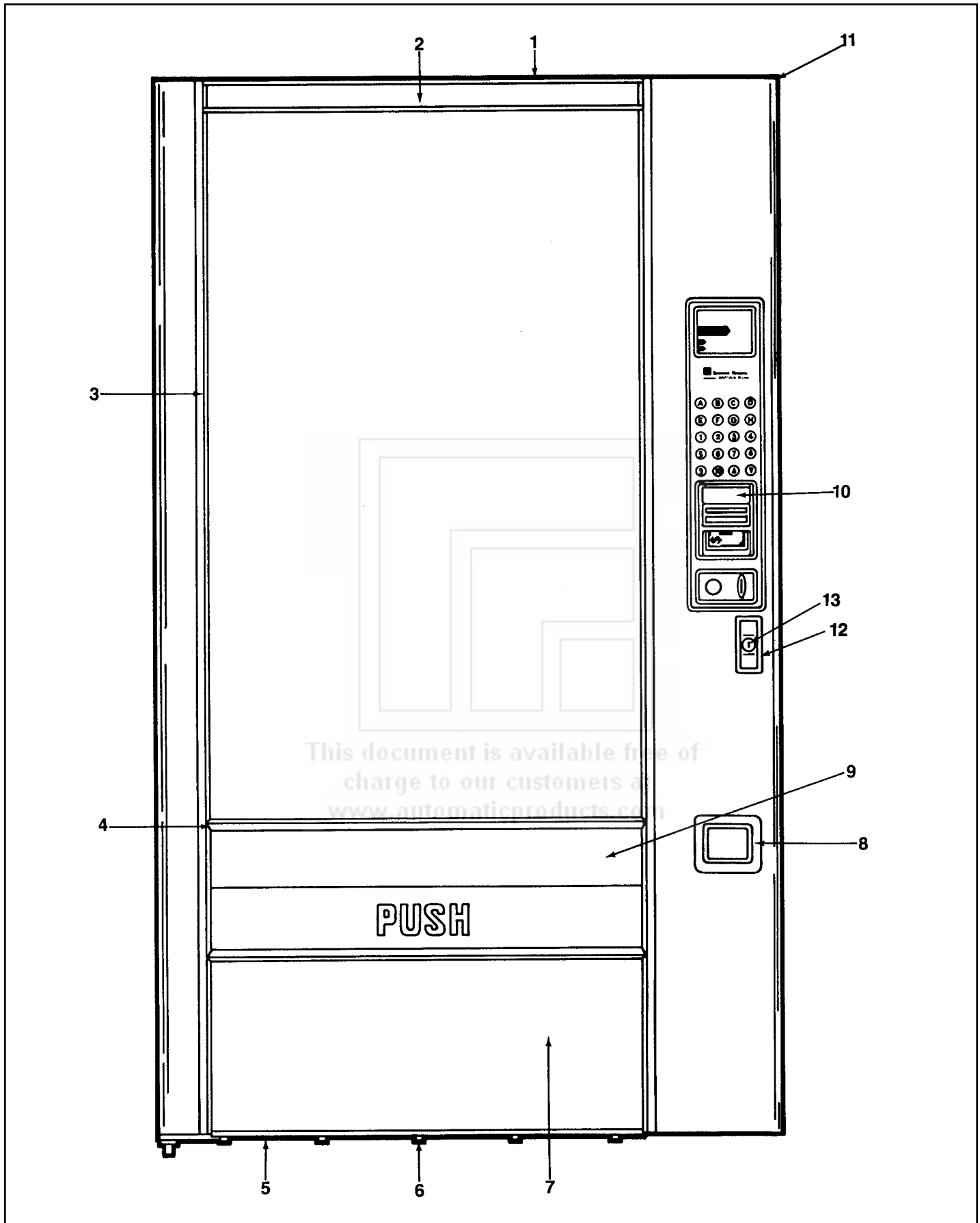
The storage tray is used to store spare cans inside the machine.

This page intentionally left blank.



This document is available free of charge to our customers at www.automaticproducts.com

door - outside front

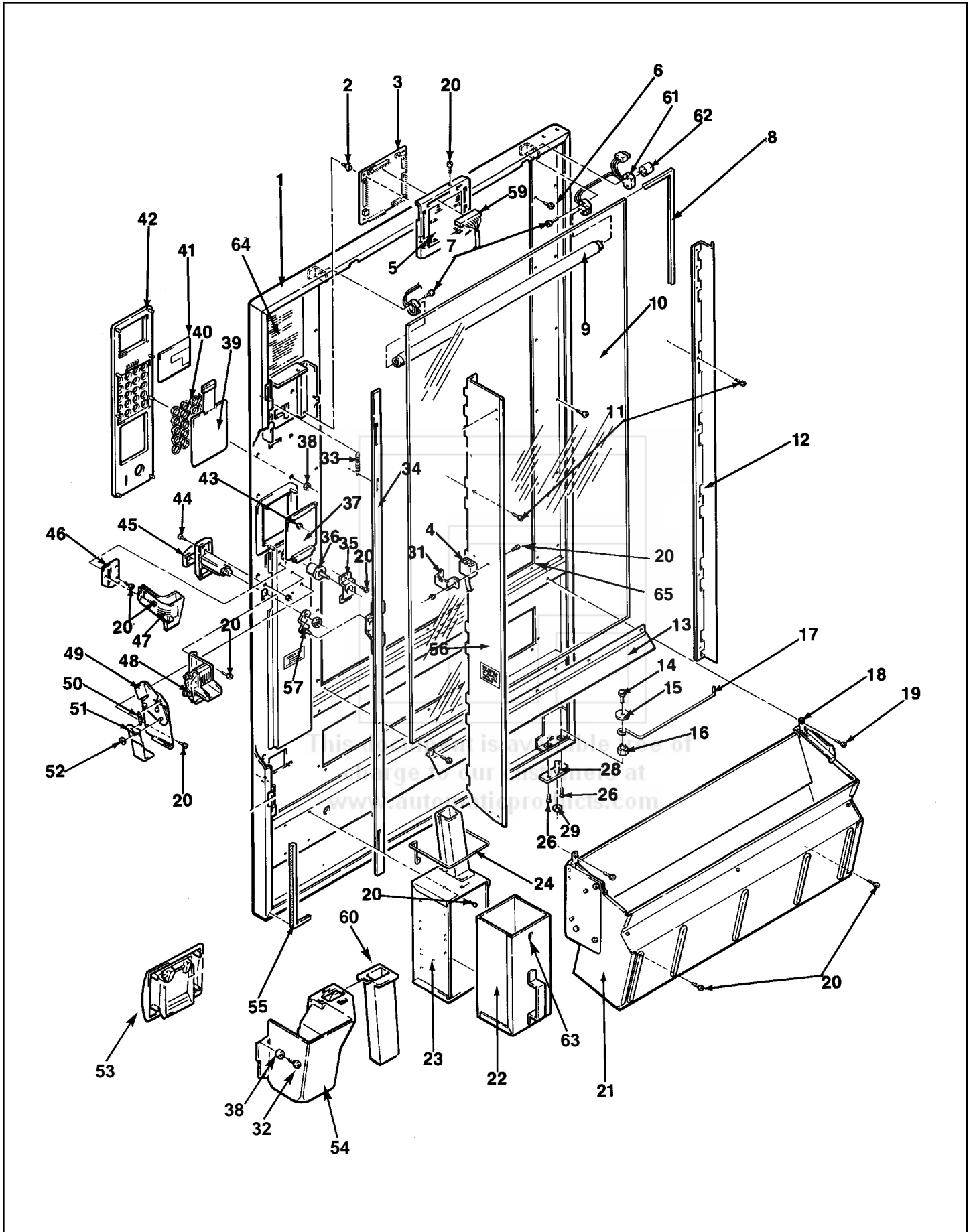


Item No.	Part No.	Description
1	340044-11	Top Trim, Silver
	340044-12	Top Trim, Black
2	201690-9	Top Trim Insert, Painted, Specify Color
	201690-7	Top Trim Insert, Black Hide
	201690-15	Top Trim Insert, Gray
	440360	"MULTISNACK" TRIM INSERT
3	340062	Trim, Inside Vertical, Left or Right, Clear
	340062-1	Trim, Inside Vertical, Left or Right, Black
4	340062-2	Trim, Inside Horizontal, Clear
	340062-3	Trim, Inside Horizontal, Black
5	201678-5	Trim, Door Edging
6	420186	Screw, Drill Pt., Black (6-20 x 1/2)
7	201692-44	Panel, Lower Horizontal, Painted, Specify Color
	201692-56	Panel, Lower Horizontal, Gray
	201692-1	Panel, Lower Horizontal, Black Hide
8	440411-1	Coin Cup Trim, Medium Gray
	660581	Assembly Coin Cup Front, Black
	660581-1	Assembly Coin Cup Front, Gray
	440411	Coin Cup Trim, Black
	440412	Coin Cup Door
9	201356-43	Panel, Delivery Tray, Gray
	201356-6	Panel, Delivery Tray, Painted
	201356-1	Panel, Delivery Tray, Black Hide
10		See page 13 for itemized parts
11	16000014	Door Only, Specify Color, Euro Style
12	660319	Assembly Complete, Lock Handle
13	420071	Ace Lock w/2 Keys
	420071-1	Ace Lock w/1 Key
	420071-2	Ace Lock w/0 Keys

Item No.	Part No.	Description

This document is available free of charge to our customers at www.automaticeproducts.com

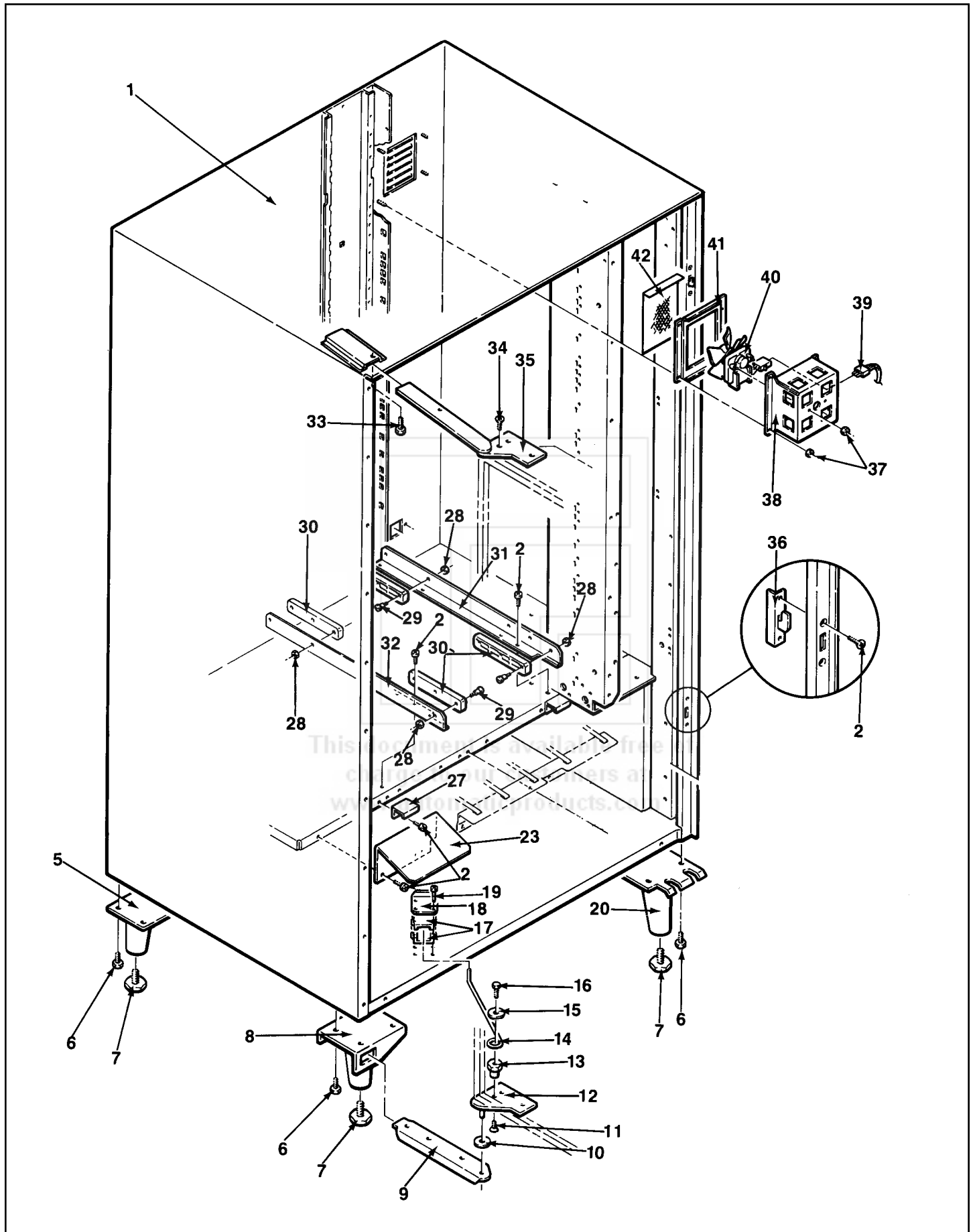
door - inside front



Item No.	Part No.	Description
1	16000014	Door Only, Euro Style, Specify Color
	16000018	Door Only, Standard, Specify Color
2	420303	Control Board Stand - Off
3	360206	Control Board w/MDB (Requires Cover 202325)
4	680547	Harness Changer Plug-In
	680567	Harness Changer Plug-In, Executive Export
	680576	Harness MDB
5	202325	Control Board Cover Only
	660528	Control Board Cover w/Decal
	460628	Decal Only
	460671	Decal, Dutch
6	201-6R7	Screw, Round Head, Phillips, Type B (6-18 x 7/16), Qty. 2
7	420062-1	Screw Round Hd.Slot Mach (4-36 x 3/4)
8	460436	Insulation, Rubber, 143" (Order length needed)
9	380022-5	Lamp, Fluorescent (F18T8 CW-24)
10	750141	Window, Front (44-5/8 x 26-7/8 x 1/8)
		NOTE: Replacement Glass Must Be Hard Tempered or Lexan Only.
	460570	Decal, "Cool-Cool" (not shown)
11	201-6R11	Screw, Round Head, Phillips, Type B (6-20 x 11/16)
12	201381 -3	Shield & Window Clamp
13	201384	Window Clamp, Bottom
14	114-41-8	Screw, Hex Head, Machine (1/4-20 x 1/2)
15	420010	Washer
16	300156	Nut, Special, Door Stop Anchor
17	400192	Door Stop
18	200906	Delivery Bin Anchor Strap
19	217-8R10	Screw, Pan Head, Phillips, Type A (8 x 5/8)
20	210-8R6	Screw, (8-32 x 3/8)
21		Assembly Complete, Delivery Bin (See page 31 for itemized parts)
22	600179-1	Cash Box
	12000088	Cash Box Stop (Not Shown)
23	600714	Cash Box Mounting Bracket
24	400180	Cash Box Retainer
25	420003-1	Screw, Flat Head (1/4-20 x 1/2)
26	420003	Screw, Flat Head (1/4-20 x 3/4)
27	420040-9	Hole Plug
28	640154	Lower Hinge Plate
29	420010-18	Washer
31	202024	Changer Socket Bracket
	202775	Loading Barricade Closer (Not Shown)
32	305-7R8	Screw, Pan Hd.Plastite Phillips (#7 x 1/2)
33	400112	Spring Locking Bar
34	600432-3	Locking Bar Only
35	201660	Coin Return Bracket
36	440289	Coin Return Button, Gray
	440289-3	Coin Return Button, Black
37	660370	Assembly, Validator Filler, Black
	660370-3	Assembly, Validator Filler, Gray
38	420144	Ferrule
39	660519	Assembly, Selector Switch Panel
40	440304	Selector Buttons, Quantity - 20
41	440390	Instruction Glass
	440401	Instruction Glass, French
	440400	Instruction Glass, Mexico

Item No.	Part No.	Description
	440402	Instruction Glass, Dutch
	440403	Instruction Glass, German
	440440	Instruction Glass, Italian
	17400005	Instruction Glass, Russian
	17400007	Instruction Glass, Hungary
42	660517	Assembly Complete, Selector Bezel, Gray
	660517-1	Assembly Complete, Selector Bezel, Black
	440389-1	Selector Bezel Only, Gray
	440389	Selector Bezel Only, Black
43	404-8	Nut, Hex Head (8-32)
44	118-10-8	Bolt, Carriage (10-24 x 1/2)
45	660319	Assembly Complete, Lock Handle w/Lock Arm & Nut
46	201712	Coin Chute Bracket
47	440311	Coin Chute, Plastic
48	660488	Assembly, Coin Chute, Plastic
49	660367	Assembly Complete, Coin Return
	640152	Assembly, Coin Return Bracket
50	400007	Spring
51	201703	Coin Return Link
52	751-25	Retaining Ring (1/4)
53	660581	Coin Cup Front Assembly, Black
	660581-1	Coin Cup Front Assembly, Gray
	440411	Trim, Coin Cup, Black
	440411-1	Trim, Coin Cup, Gray
	440412	Coin Cup Door (not shown)
54	400108	Spring (Not Shown)
	440413	Coin Return Cup, LCM All - No Striker
	660570	Assembly Coin Cup w/Striker Export
	202432	Striker Door Switch Export
	300184	Shoulder Bushing (2) Export
	276-8R6	Screw Pan Hd Self Tap (8-32x3/8)(2)
	400188	Spring Striker Door Switch Export
55	460041	Insulation, Foam (Order length needed)
56	12000010	Window, Side Shield, Lock Side
57	640131	Lock Arm Only
58	404-10	Nut, Hex Head (10-24)
59	680548	Harness, Bill Validator Hook-Up
	680641	Harness Mars MDB 24 Volt
	680613	Harness, MDB/Fan Cross Flow
60	440414	Coin Cup Chute
61	680512	Harness, Lamp
	680456-1	Harness, Lamp (not shown)
62	380023	Starter, FS-25
	380023-4	Starter, FS-11, 240V
63	750097	Lock and Cam for Cash Box. w/2 keys. Specify Number.
	420020	Lock w/1 key. Specify Number.
	13100005-01	Cam Cash Box Locking only.
64	460629	Decal Mode Instructions, English
	460672	Decal Mode Instructions, Dutch
	460679	Decal Mode Instructions, Italian
	460680	Decal Mode Instructions, Spain
	460685	Decal Mode Instructions, German
	460645	Decal Mode Instructions, French
65	300206	Window Screw (Not Shown)

cabinet - LCM3

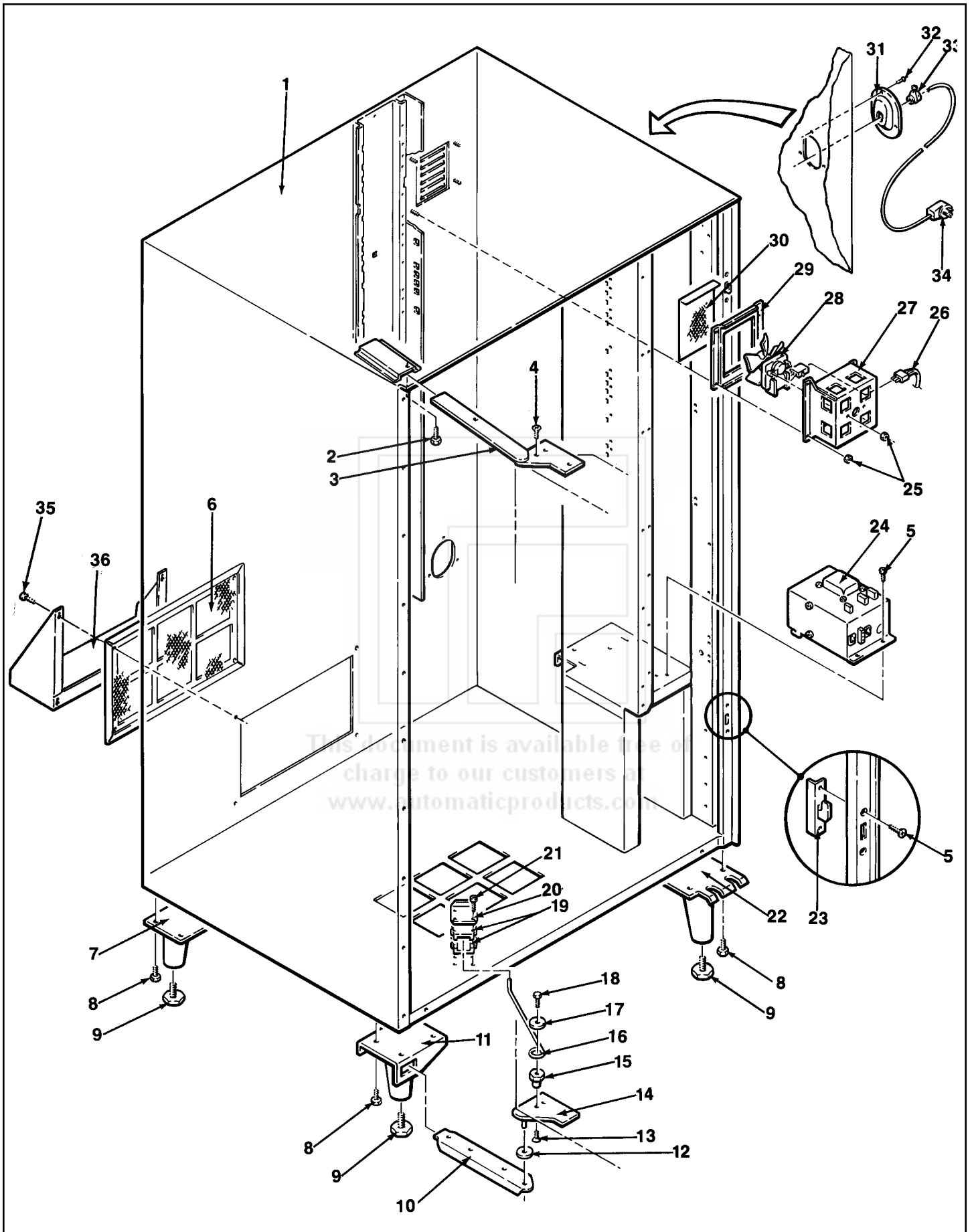


Item No.	Part No.	Description
1	750101-20	Cabinet Assembly Complete, With Legs, Ambient LCM3
	750101-23	Chilled Machine Cabinet Assembly Complete with legs and Insulation. Specify Color. LCM3
2	276-8R6	Screw, Pan Hd, Self-Tap (8-32 x 3/8)
5	600195	Leg Assembly Rear, Specify Color
6	420187	Screw, Hex Hd, Mach (5/16-18 x 3/4)
7	300103	Leg Leveler
	660599	Leg Leveler Bolt "Multisnack"
8	600302	Leg Assembly Front, Pivot Side, Specify Color
9	202088	Lower Hinge Support, Specify Color
10	420010-18	Washer (1-1/4)
11	420003	Screw, Flat Hd (1/4-20 x 3/4)
12	640154	Assembly, Lower Door Plate, Specify Color
13	300156	Door Stop Anchor
14	400095	Door Stop
15	420010-10	Washer
16	114-41-8	Screw, Hex Hd, Mach (1/4-20 x 1/2)
17	440204	Door Stop Friction Pad
18	201042	Door Stop Plate
19	277-10R16	Screw, Pan Hd, Self Tap (10-32 x 1)
20	600197	Assembly, Leg Front, Lock Side, Specify Color

Item No.	Part No.	Description
23	12000038	Plate, Gum & Mint Deflector
27	12000006	Gum & Mint Tray Catch
28	437-41	Nut, Keps (1/4 - 28)
29	300137	Screw, Shelf Roller
30	440278	Gum & Mint Tray Slide
31	16600039	Assembly Complete, Gum & Mint Support, Right Side
	12000061	Gum & Mint Support, Right Side
32	1600039-01	Assy, Complete, G&M Support, Left Side
	1200061-01	Gum & Mint Support, Left
33	164-51-7	Screw, Hex Hd, Sems (5/16-18 x 3/8)
34	420003-1	Screw, Flat Hd (1/4-20 x 1/2)
35	640107-1	Assembly, Upper Hinge, Specify Color
36	600433	Assembly, Door Lock Catch
37	404-4	Hex Nut (8-32)
38	202072	Fan Housing
39	680456	Harness, Fan
40	360122-2	Fan Motor, 120 Volt
	660441	Kit, Fan Add-On, 120 Volt
	660441-1	Kit, Fan Add-On. 240 Volt
	360122-3	Fan Motor, 230 Volt
41	202070	Screen Bracket
	202235	Cover Plate (Use w/o Fan)
42	202071	Screen

This document is available free of charge to our customers at www.automaticeproducts.com

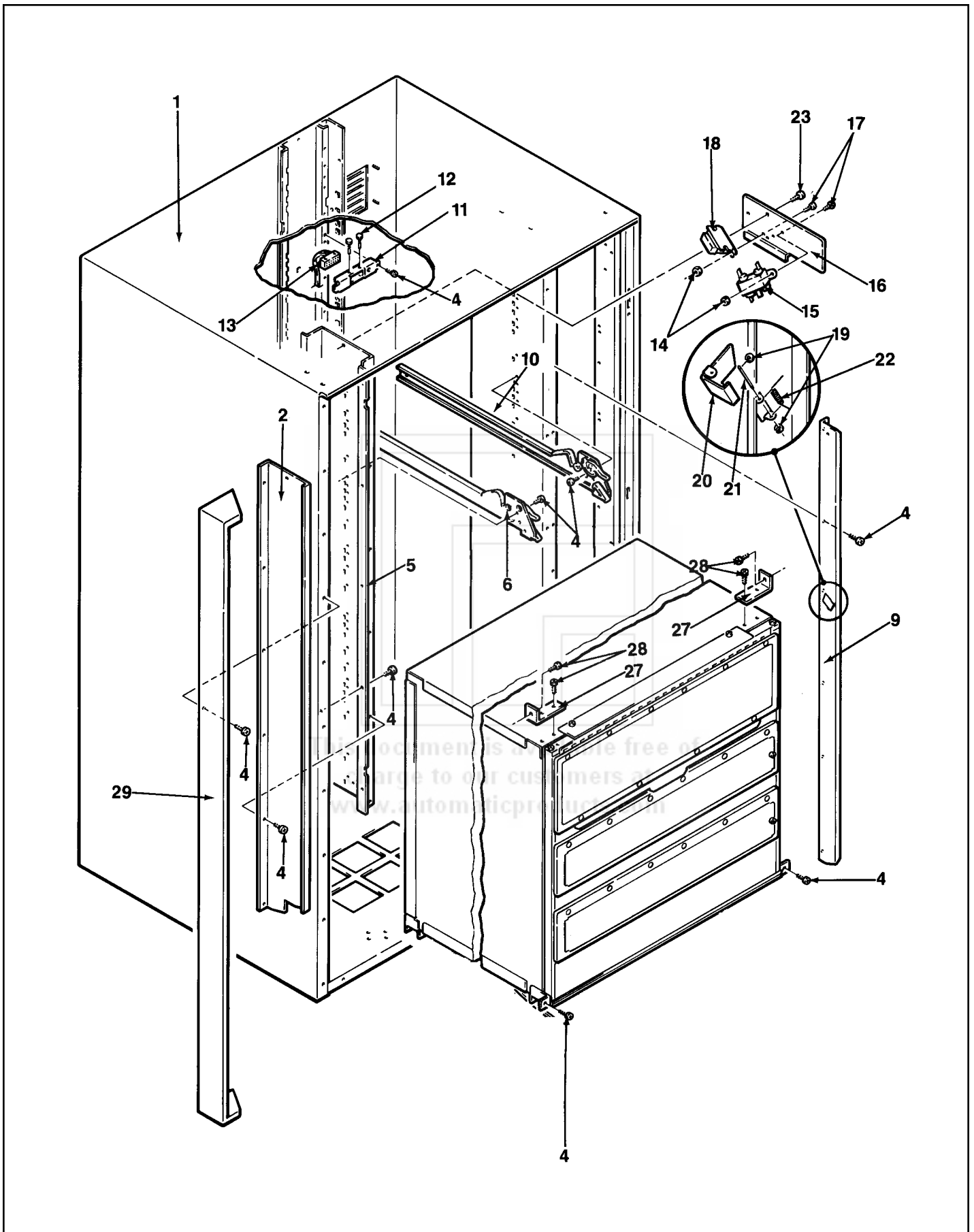
cabinet - LCM4



Item No.	Part No.	Description
1	750100-6	Cabinet Assembly Complete, w/Legs, Specify Color, LCM4
2	164-51-7	Screw, Hex Head, Sems (5/16-18 x 3/8)
3	640107-1	Assembly, Upper Hinge, Specify Color
4	420003-1	Screw, Flat Head (1/4-20 x 1/2)
5	276-8R6	Screw, Pan Head, Self Tap (8-32 x 3/8)
6	16600047	Assembly, Back Screen
7	600195	Leg Assembly, Rear, Specify Color
8	420187	Screw, Hex Head, Machine (5/16-18 x 3/4)
9	300103	Leg Leveler
	660599	Leg Leveler Bolt "Multisnack"
10	202088	Lower Hinge Support, Specify Color
11	600302	Leg Assembly, Front, Pivot Side, Specify Color
12	420010-19	Washer (1 1/16), Quantity 2
13	420003	Screw, Flat Head (1/4-20 x 3/4)
14	640154	Assembly, Lower Door Plate, Specify Color
15	300156	Door Stop Anchor
16	400095	Door Stop
17	420010-10	Washer
18	114-41 -8	Screw, Hex Head, Machine (1 /4-20 x 1/2)
19	440204	Door Stop Friction Pad
20	201042	Door Stop Plate
21	277-IOR16	Screw, Pan Head, Self Tap (10-32 x 1)
22	600197	Assembly, Leg, Front Lock Side, Specify Color
23	600433	Assembly, Door Lock Catch
24		Assembly, Junction Box (see page 47-48 for itemized parts)

Item No.	Part No.	Description
25	404-4	Hex Nut (8-32)
26	680456-1	Harness Fan
27	202072	Fan Housing
28	360122-2	Fan Motor, 120 Volt
	360122-3	Fan Motor, 230 Volt
	660441	Kit, Fan Add-On, 120 Volt
	660441-1	Kit, Fan Add-On, 230 Volt
	360122-3	Fan Motor, 230 Volt
29	202070	Screen Bracket
	202235	Cover Plate, Use w/o Fan
30	202071	Screen
31	202270	Power Inlet Cord Plate
32	420078-1	Pop Rivet
33	380052-3	Strain Relief Bushing w/Screw
34	16600098	Assembly Power Inlet Cord Ambient, 120 Volt
	16800052	Assembly Line Cord w/o Hardware
	16600099	Assembly, Power Inlet Cord, Complete, AP/UK, Export
	16600099-01	Assembly, Power Inlet Cord, Complete, Australia, Export
	16600099-02	Assembly, Power Inlet Cord, Complete, Israel, Export
	16600099-03	Assembly, Power Inlet Cord, Complete, Multisnack
35	276-8R8	Screw Pan HD Phillips (8-32 x 1/2)
36	202690	Deflector

This document is available free of charge to our customers at www.automatixproducts.com

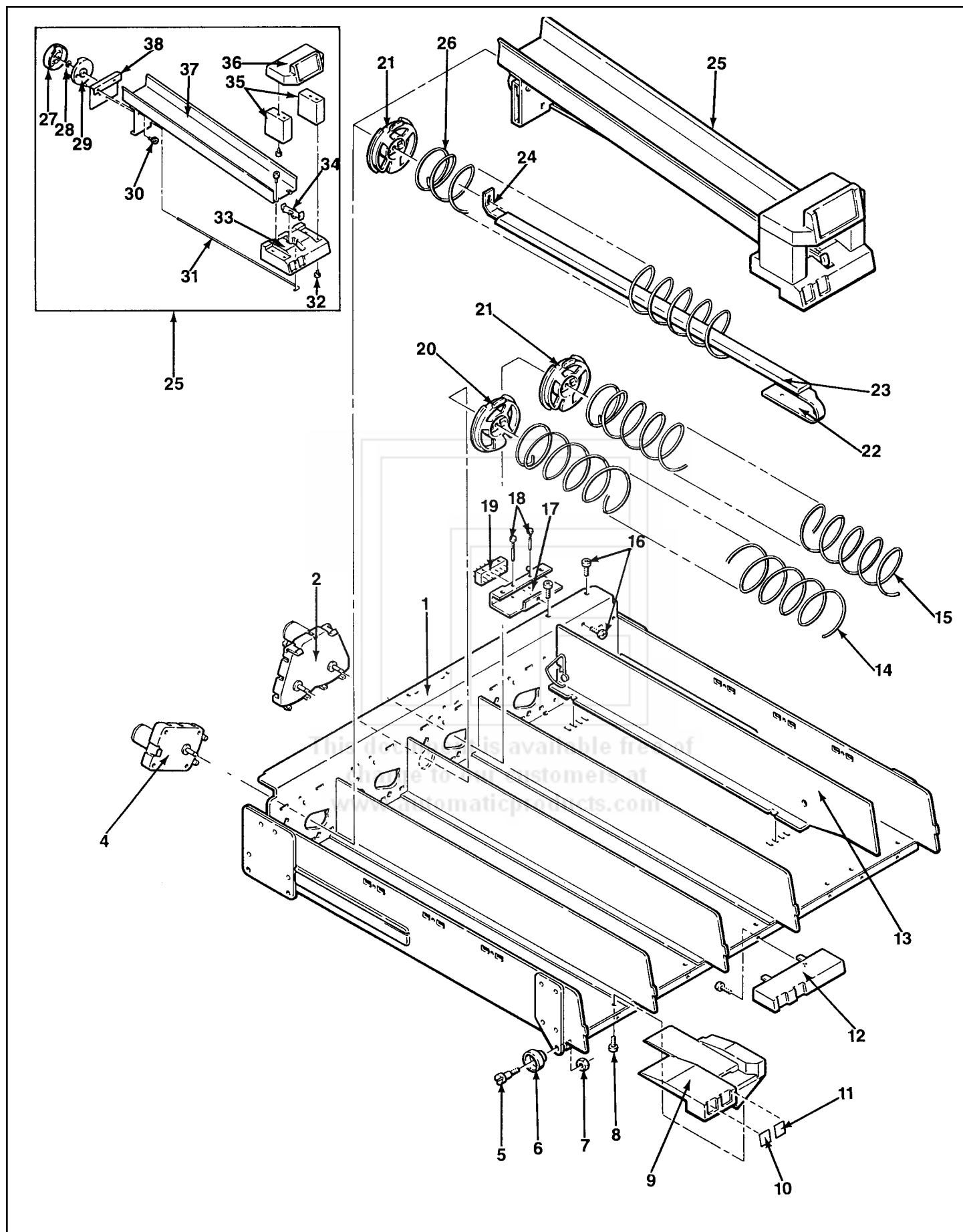


Item No.	Part No.	Description
1	750100-6	Cabinet Assembly Complete, w/Legs, Specify Color, LCM4
2	202119	Filler Plate, Left Front
4	276-8R6	Screw, Pan Head, Self Tap (8-32 x 3/8)
5	12000008	Shelf Support, Left Front
6	640177	Assembly, Cabinet Shelf Track, Left, LCM4
9	12000009-01	Filler Plate, Right Front
	16600003	Assembly, Complete, Filler Plate
10	640177-1	Assembly, Cabinet Shelf Track, Right, LCM4
11	202177	Cabinet Receptacle, Mounting Bracket Only
12	420142-2	Drive Pin
13	660516-2	Assembly Complete, Cabinet Back Harness, LCM4
	16600084	Assembly Complete, Cabinet Back Harness, LCM3
	16600084-01	Harness Assembly, 5 Selection, LCM3
	680612	Harness Cabinet Top Fan (Not Shown)
14	404-6	Nut, Hex Head (6-32)
15	380303	Assembly, Line Filter

Item No.	Part No.	Description
16	16600092	Assembly Complete, Light Ballast & Filter, 120 Volt
	16600092-03	Assembly Complete, Light Ballast & Filter, 230 Volt, All LCM
	12000079	Cover Mounting Plate Only
17	210-8R6	Screw, Pan Head (6-32 x 3/8)
18	680514	Ballast Only, 120 Volt
	680513-2	Ballast Only, 230 Volt, All LCM
19	751-9	Retaining Ring
20	202376	Latch
21	300211	Latch Pivot Pin
22	400182	Spring
23	216-41 R8	Screw
24	600626	Screen, Front
27	202400	Mounting Bracket
28	210-8R6	Screw
29	600310	Assembly, Cabinet to Door Filler, Specify Color

This document is available free of charge to our customers at www.automatixproducts.com

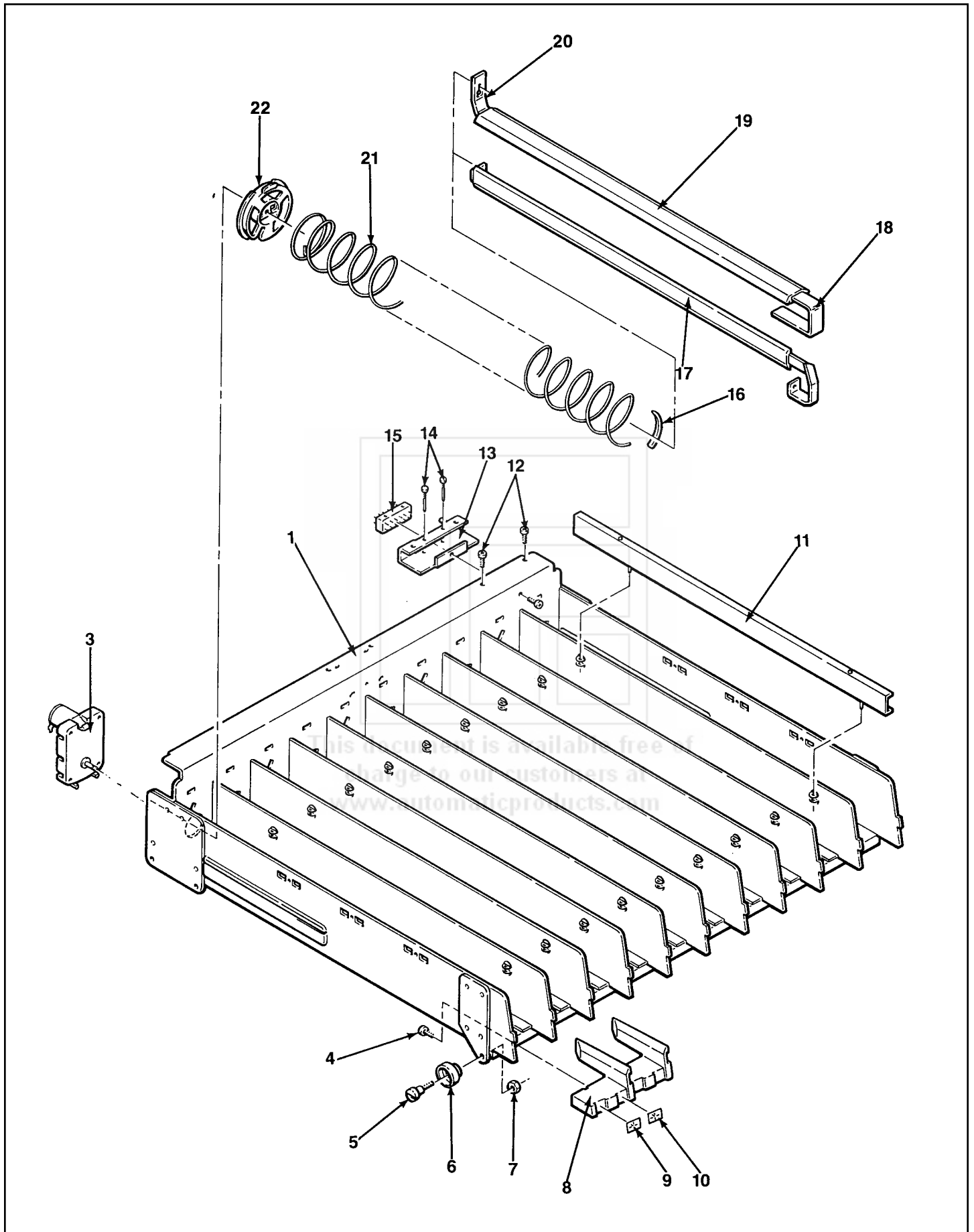
snack shelf



Item No.	Part No.	Description
1	750121-6	Assembly Complete, Snack Shelf w/o Spirals
	750162-6	Assembly Complete, Dual Snack Shelf w/o Spirals
2	600240-3	Snack Shelf Only
	750159-1	Kit, Dual Spiral Add-On
	360169-1	Dual Spiral Motor Only Black & White
4	360138-1	Vend Motor Complete Gray & White
5	300203	Screw, Shelf Roller
6	440362	Shelf Roller
7	437-41	Nut, Keps (28 x 1/4)
8	305-8R6	Screw, Pan Head, Phillips, Plastite (8-16 x 318)
9	440285	Tab Holder, Price & Selection
10	460346	Tab, Item
11	460347	Tab, Price, Assorted, 25¢ - \$1.50
	460602	Tab, Price, Assorted, \$3.10 - \$4.05
	460740	Tab, Price, Assorted (75¢ - \$1.25)
		(See Candy Shelf Additional Price Sheets Next Page)
	460529	Tab, Price, French
	460540	Price Tabs, Mexico
	460561	Price Tabs, Spanish
12	440367	Pastry Shelf, Dual Spiral, Front Only
13	640101	Spacer, Snack Shelf
	202770	Snack Shelf Extra Extension (Not Shown)
14	400169-1	Dual Spiral Only, Left Hand, 10 Space, Chrome
	400170-1	Dual Spiral Only, Left Hand, 12 Space, Chrome
	400171-1	Dual Spiral Only, Left Hand, 15 Space, Chrome
	400179-1	Dual Spiral Only, Left Hand, 9 Space, Chrome
	400178-1	Dual Spiral Only, Left Hand, 7 Space, Chrome
15	400168-1	Dual Spiral Only, Right Hand, 10 Space, Chrome
	400120-1	Dual Spiral Only, Right Hand, 12 Space, Chrome
	400121-1	Dual Spiral Only, Right Hand, 15 Space, Chrome
	400166-1	Dual Spiral Only, Right Hand, 9 Space, Chrome
	400164-1	Dual Spiral Only, Right Hand, 7 Space, Chrome

Item No.	Part No.	Description	
16	276-8R6	Screw, Pan Head, Self Tap (8-32 x 3/8)	
17	600601	Shelf Plug, Bracket Only	
18	420142-2	Pin Drive	
19	660435-2	Assembly Complete, Harness and Plug Bracket	
	680446	Harness, Pastry Shelf Only	
20	440366	Spiral Retainer, Left Hand, Gray	
21	440287	Spiral Retainer, White	
22	201534	Front Support Only	
23	660330-2	Assembly, Product Rail, Pastry	
	440148-1	Plastic Product Rail Only	
24	200913	Rear Support Bracket Only, Pastry Spiral	
25	750083	Kit, Can Dispenser	
26	400127-1	Spiral, Snack, 10 Space, Chrome	
	400128-1	Spiral, Snack, 12 Space, Chrome	
	400129-1	Spiral, Snack, 15 Space, Chrome	
	400136-1	Spiral, Snack, 30 Space, Chrome	
	400137-1	Spiral, Snack, 40 Space, Chrome	
	400153-1	Spiral, Snack, 7 Space, Chrome	
	400162-1	Spiral, Snack, 6 Space, Chrome	
	400163-1	Spiral, Snack, 18 Space, Chrome	
	27	440201	Drive Cam, Rear
	28	751-31	Retaining Ring (31)
29	440200	Drive Cam, Front	
30	300184	Bushing, Shoulder	
	277-1OR8	Screw, Type 23 (10-32 x 1/2)	
31	400094	Wire, Actuator	
32	305-8R6	Screw, Pan Head, Phillips, Plastite (8-16 x 318)	
33	440196	Trim, Price & Selection	
34	440199	Lever, Stop	
35	440198	Leg, Top Can Guide & Sign Trim	
36	440197	Top, Can Guide & Sign Trim	
37	600308	Dispenser, Can, Trough Only	
38	640109	Cam, Mounting Bracket & Spring Assembly	

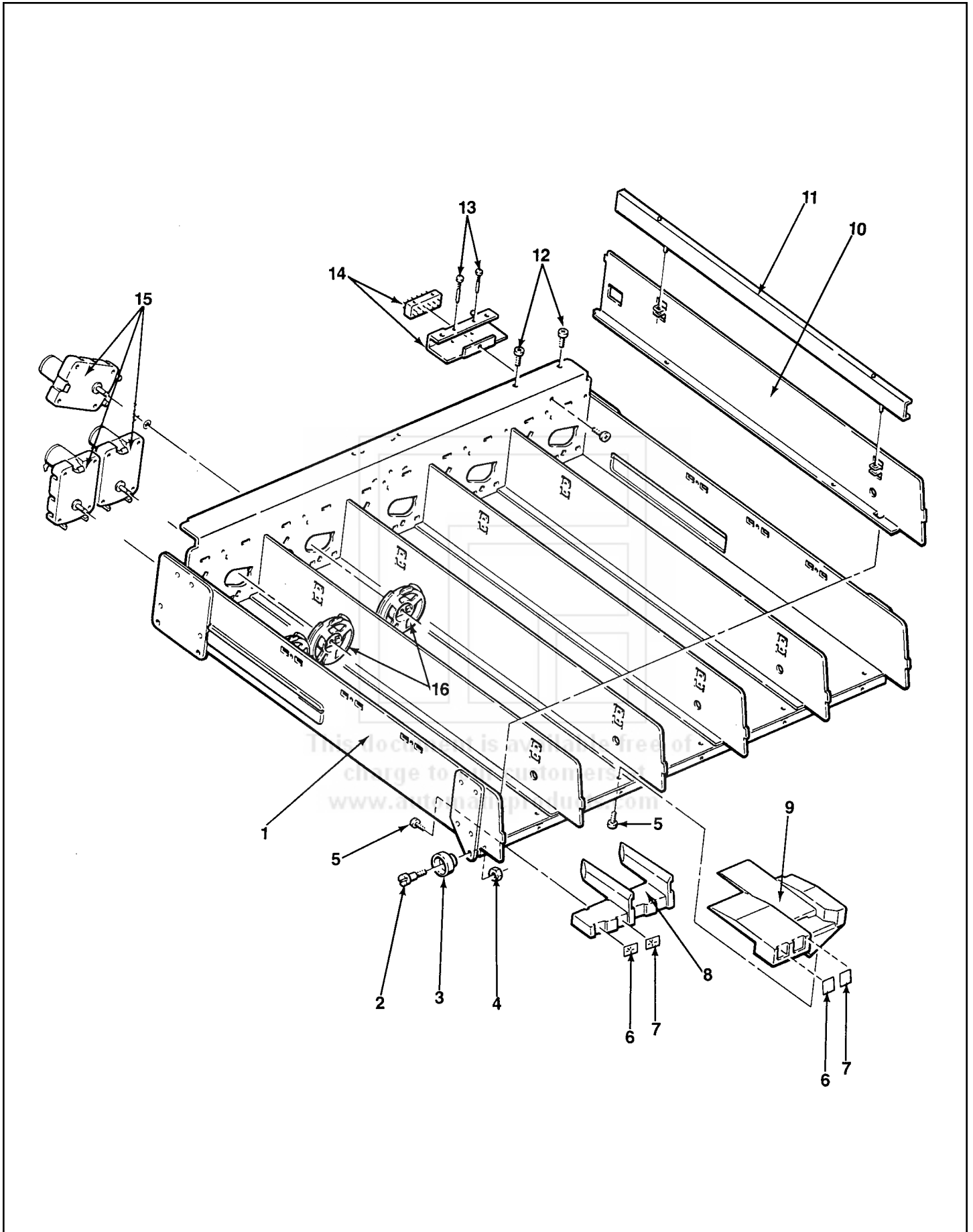
candy shelf



Item No.	Part No.	Description
1	750122-7	Assembly Complete, Candy Shelf w/o Coils, LCM4
	600239-2	Candy Shelf Only, LCM4
3	360138-1	Vend Motor Complete, Gray & White
	360155-1	Vend Motor Complete, Half-cycle, Brown & Black
	750137-2	Kit, Half-cycle Add-on
4	305-8R6	Screw, Pan Head, Plastite (8 x3/8)
5	300203	Screw, Shelf Roller
6	440362	Roller, Shelf
7	437-41	Nut, Keps (28 x 1/4)
8	440262	Tab Holder, Price & Selection, Off-set
9	460346	Tabs, Item
10	460347	Tabs, Price, Assorted 25¢ - \$1.50
	460602	Tabs, Price, Assorted \$3.10 - \$4.05
	460347-1	Tabs, Price, All 30¢ - 35¢
	460347-2	Tabs, Price, All 40¢ - 45¢
	460347-3	Tabs, Price, All 50¢ - 55¢
	460347-4	Tabs, Price, All 60¢ - 65¢
	460347-5	Tabs, Price, All 70¢ - 75¢
	460347-6	Tabs, Price, All 80¢ - 85¢
	460347-7	Tabs, Price, All 90¢ - 95¢
	460347-8	Tabs, Price, All \$1.00 - \$1.05
	460347-9	Tabs, Price, All \$1.10 - \$1.15
	460347-10	Tabs, Price, All \$1.20 - \$1.25
	460347-11	Tabs, Price, All \$1.30 - \$1.35
	460347-12	Tabs, Price, All \$1.40 - \$1.45
	460347-13	Tabs, Price, All \$1.50 - \$1.55
	460347-14	Tabs, Price, All \$1.60 - \$1.65
	460347-15	Tabs, Price, All \$1.70 - \$1.75
	460347-16	Tabs, Price, All \$1.80 - \$1.85
	460347-17	Tabs, Price, All \$1.90 - \$1.95
	460347-18	Tabs, Price, All \$2.00 - \$2.05
	460347-19	Tabs, Price, All \$2.10 - \$2.15
	460347-20	Tabs, Price, All \$2.20 - \$2.25
	460347-21	Tabs, Price, All \$2.30 - \$2.35
	460347-22	Tabs, Price, All \$2.40 - \$2.45
	460347-23	Tabs, Price, All \$2.50 - \$2.55
	460347-24	Tabs, Price, All \$2.60 - \$2.65
	460347-25	Tabs, Price, All \$2.70 - \$2.75
	460347-26	Tabs, Price, All \$2.80 - \$2.85
	460347-27	Tabs, Price, All \$2.90 - \$2.95
	460347-28	Tabs, Price, All \$3.00 - \$3.05
	460740	Tabs, Price (75¢ - \$1.25)
	460529	Tabs, Price, French
	460540	Tabs, Price, Mexico
	460727	Tabs, Price, Italian

Item No.	Part No.	Description
11	660178	Assembly, Candy Spacer
	660178-4	Assembly, Candy Spacer, Use 1/2" Half-cycle Motor
12	276-8R6	Screw, Pan Head, Self Tap (8-32 x 3/8)
13	600601	Plug, Shelf, Bracket Only
14	420142-2	Pin, Drive
15	660435-1	Harness & Bracket Complete
	680445-1	Harness, Candy Shelf Only
16	440141-1	Product Pusher, Candy
17	660296	Guide, Small Product
	660503	Assembly, Product Rail, Half-cycle Motor
18	201258	Front Support Only
19	660191	Assembly, Product Rail, Candy Spiral
	440148	Plastic Product Rail Only
20	200913	Rear Support Only
21	400120-1	Spiral, Candy, 12 Space, Chrome
	400121-1	Spiral, Candy, 15 Space, Chrome
	400122-1	Spiral, Candy, 18 Space, Chrome
	400123-1	Spiral, Candy, 24 Space, Chrome
	400135-1	Spiral, Candy, 30 Space, Chrome
	400138-1	Spiral, Candy, 40 Space, Chrome
	400164-1	Spiral, Candy, 7 Space, Chrome
	400166-1	Spiral, Candy, 9 Space, Chrome
	400167-1	Spiral, Candy, 6 Space, Chrome
	400168-1	Spiral, Candy, 10 Space, Chrome
22	440287	Lock, Spiral

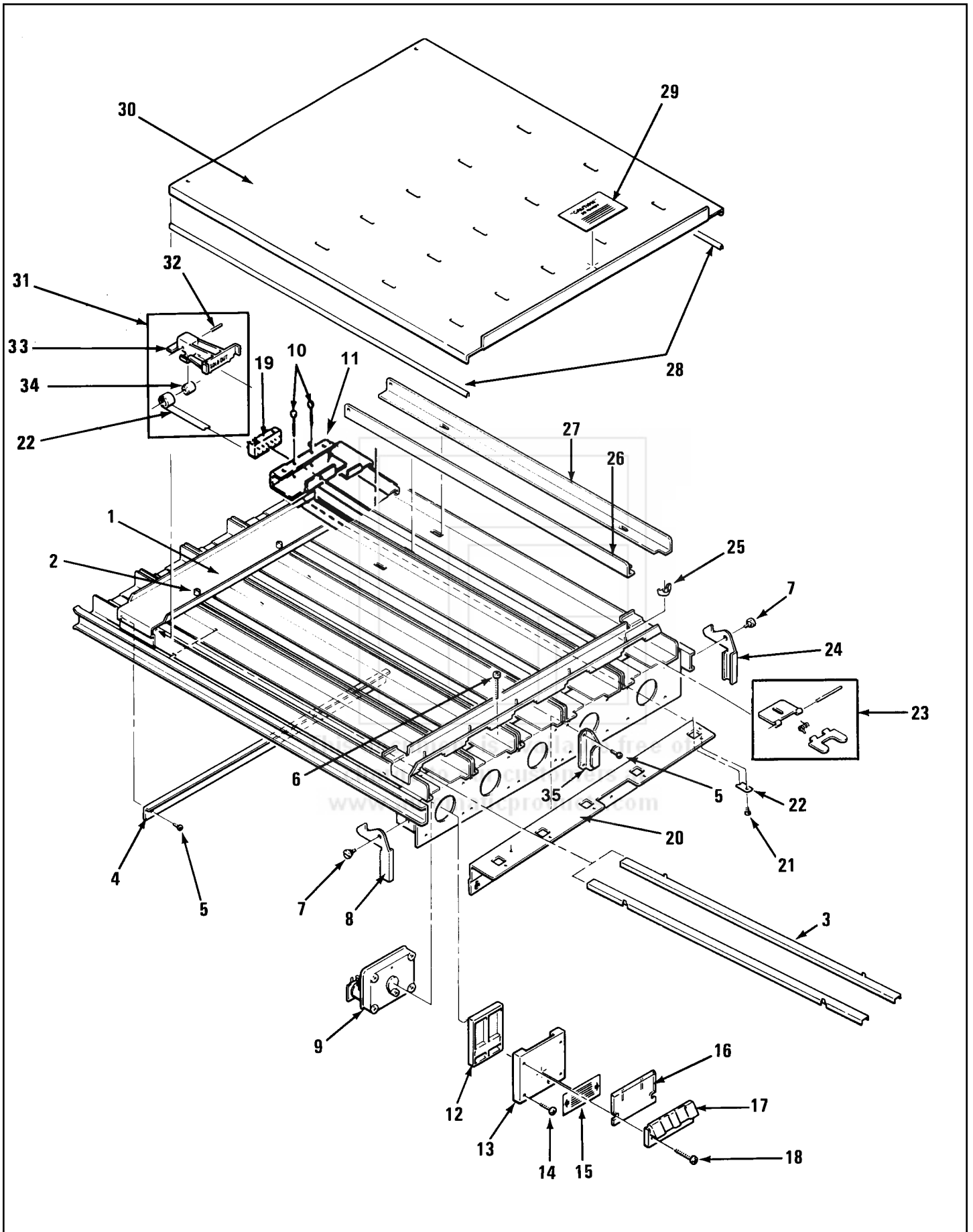
convertible shelf



Item No.	Part No.	Description
1	750147-12	Assembly Complete, Convertible Shelf w/o Spirals (5 Snack Selections)
	750147-13	Assembly Complete, Convertible Shelf w/o Spirals (4 Snack Selections and 2 candy)
	750147-14	Assembly Complete, Convertible Shelf w/o Spirals (3 Snack Selections and 4 Candy)
	750147-15	Assembly Complete, Convertible Shelf w/o Spirals (2 Snack Selections and 6 Candy)
	750147-16	Assembly Complete, Convertible Shelf w/o Spirals (1 Snack Selection and 8 Candy)
	750147-17	Assembly Complete, Convertible Shelf w/o Spirals (10 Candy Selections)
	750162-6	Assembly Complete, Dual Spiral Snack Shelf w/o Spirals (5 Snack Selections)
	750159-1	Kit, Dual Spiral Add-On w/o Spirals (Use per selection)
	600240-3	Convertible Snack Shelf Only
	2	300203
3	440362	Roller, Shelf
4	437-41	Nut, Keps (28 x 1/4)
5	305-8R6	Screw, Pan Head, Plastite (8-16 x3/8)
6	460346	Tabs, Item
7	460347	Tabs, Price, Assorted 25¢ - \$1.50
	460602	Tabs, Price, Assorted \$3.10 - \$4.05
	460740	Tabs, Price, Assorted (75¢ - \$1.25)
	460347-1	Tabs, Price, All 30¢ - 35¢
	460347-2	Tabs, Price, All 40¢ - 45¢
	460347-3	Tabs, Price, All 50¢ - 55¢
	460347-4	Tabs, Price, All 60¢ - 65¢
	460347-5	Tabs, Price, All 70¢ - 75¢
	460347-6	Tabs, Price, All 80¢ - 85¢
	460347-7	Tabs, Price, All 90¢ - 95¢
460347-8	Tabs, Price, All \$1.00 - \$1.05	
460347-9	Tabs, Price, All \$1.10 - \$1.15	
460347-10	Tabs, Price, All \$1.20 - \$1.25	

Item No.	Part No.	Description	
	460347-11	Tabs, Price, All \$1.30 - \$1.35	
	460347-12	Tabs, Price, All \$1.40 - \$1.45	
	460347-13	Tabs, Price, All \$1.50 - \$1.55	
	460347-14	Tabs, Price, All \$1.60 - \$1.65	
	460347-15	Tabs, Price, All \$1.70 - \$1.75	
	460347-16	Tabs, Price, All \$1.80 - \$1.85	
	460347-17	Tabs, Price, All \$1.90 - \$1.95	
	460347-18	Tabs, Price, All \$2.00 - \$2.05	
	460347-19	Tabs, Price, All \$2.10 - \$2.15	
	460347-20	Tabs, Price, All \$2.20 - \$2.25	
	460347-21	Tabs, Price, All \$2.30 - \$2.35	
	460347-22	Tabs, Price, All \$2.40 - \$2.45	
	460347-23	Tabs, Price, All \$2.50 - \$2.55	
	460347-24	Tabs, Price, All \$2.60 - \$2.65	
	460347-25	Tabs, Price, All \$2.70 - \$2.75	
	460347-26	Tabs, Price, All \$2.80 - \$2.85	
	460347-27	Tabs, Price, All \$2.90 - \$2.95	
	460347-28	Tabs, Price, All \$3.00 - \$3.05	
	8	460529	Tabs, Price, French
		460540	Tabs, Price, Mexico
		460727	Tabs, Price, Italian
		460561	Tabs, Price, Spanish
		460644	Tabs, Price, English
		440262	Tab Holder, Price and Selection, Offset Candy (See page 25, item 21 for Candy Spirals)
		440285	Tab Holder, Price and Selection, Snack (See page 23, item 26 for Snack Spirals)
		200753-2	Shelf Divider, Candy
		660178	Assembly, Candy Spacer
		276-8R6	Screw, Pan Head, Self Tap (8-32 x 3/8)
420142-2		Pin, Shelf Plug	
660435-1		Harness, Candy Shelf with Plug Bracket	
600601		Plug, Shelf, Bracket Only	
360138-1		Vend Motor Complete, Gray & White	
750150-2		Kit, Convertible Shelf, 2 Selection Add-On	
440287		Lock, Spiral	

gum & mint shelf - LCM3

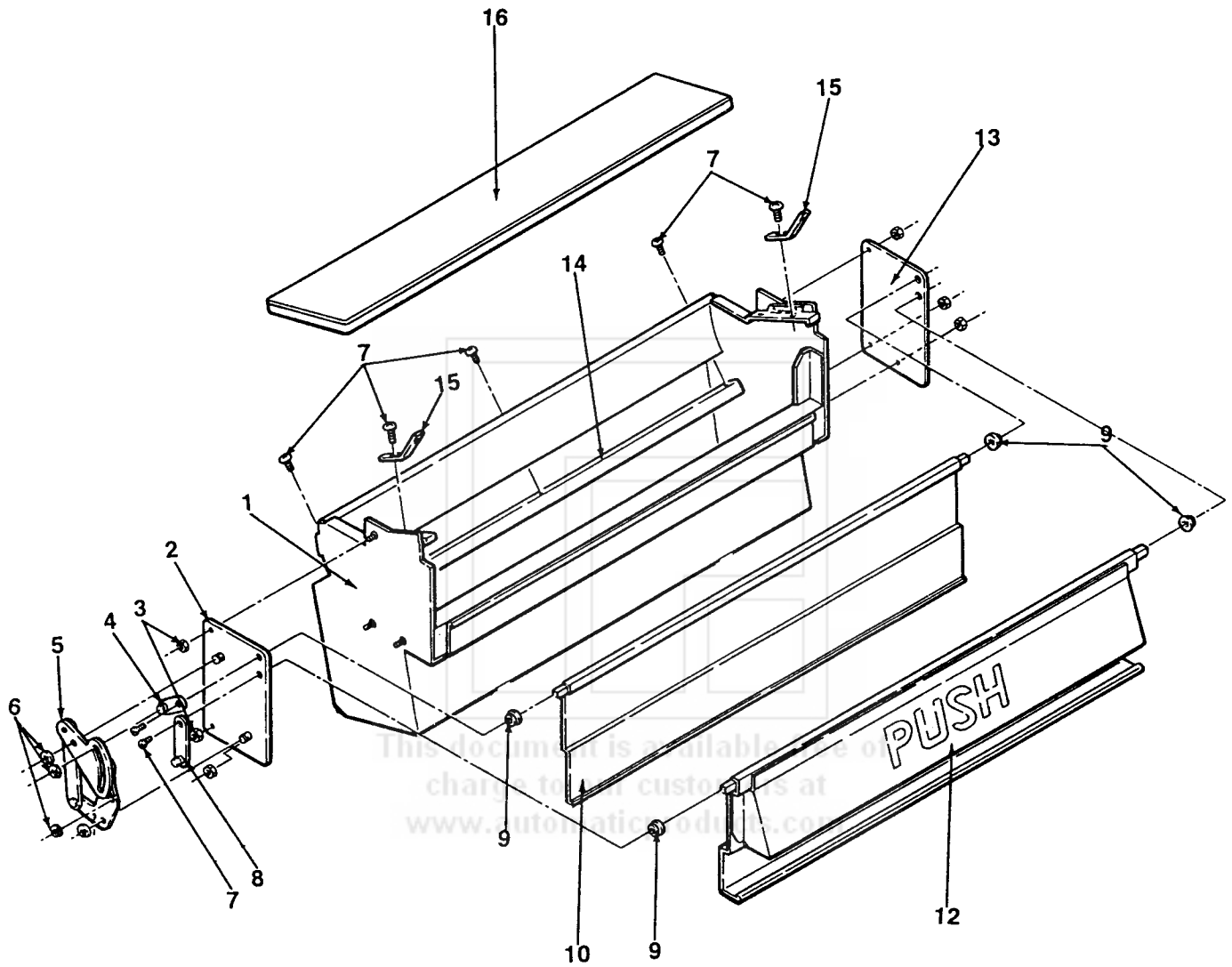


Item No.	Part No.	Description
1	16600010 16600011 16600012 16000004 16000007 750165-27 750165-28 750165-29	Assembly Complete, Gum & Mint Shelf Assembly Complete, Gum & Mint Shelf, Export Only, Australia Assembly Complete. Gum & Mint Shelf, Export Gum and Mint Shelf Only Gum and Mint Shelf Only, Export Kit, Gum and Mint Add-On Kit G/M add on Export Kit G/M add on Australia
2	420040-9	Snap Bushing and Hole Plug
3	201412	Thin Mint Adapter (2 per selection)
4	201458 201458-2	Gum and Mint Rear Pusher Stop Gum and Mint Rear Pusher Stop, Export Only
5	276-8R6	Screw, Pan Hd, Self-Tap Phillips (8-32 x 3/8)
6	217-8R22	Screw, Pan Hd, Phillips Type AB (1-3/8)
7	300184 277-10R8	Shoulder Bushing Screw Type 23 (10-32 x 1/2)
8	12000032-01	Gum and Mint Shelf Latch, Left Side
9	360105-1	Gum and Mint Motors (Black & White)
10	420142-2	Drive Pin
11	600601	Gum and Mint Shelf Plug Only
12	440267	Ejector, Gum and Mint
13	440266	Gum and Mint Shelf Front Base
14	305-7R16	Screw, Pan Hd, Plastite (7 x 1)
15	460352	Decal, Gum and Mint Shelf Latch
16	440270	Display Stop, Gum and Mint Column Front
17	440273	Gum and Mint Shelf Front
18	305-7R22	Screw, Pan Hd, Plastite (7 x 1-3/8)
19	16800003 16600065 16600068 16800006	Harness, Gum and Mint Shelf Harness, Gum and Mint Shelf, W/BRKT Harness G & M Shelf & Bracket, Export Only Harness Only, Export

Item No.	Part No.	Description
20	12000002-02 12000002	Strap, Gum and Mint Pusher Stop G & M Pusher Stop Strap, Export Only
21	262-6R5	Screw, Flat Hd, Phil, Type 23 (6-32 x 5/16)
22	400106	Spring, Gum and Mint Pusher Return
23	660314 660314-1	Assembly, Complete Gum and Mint Display Hinge Assembly, Complete Gum and Mint Display Hinge, Export Only, Aus.
24	12000032	Gum and Mint Shelf Latch, Right Side
25	420023	Wing Nut (8-32)
26	201411-1	Column Spacer, Left
27	201411	Column Spacer, Right
28	420296	Shelf Grommet
29	460351	Decal, Caution, Gum and Mint Shelf
30	201409 201530	Cover, Gum and Mint Shelf Cover Gum and Mint Shelf, Export Only
31	660313	Assembly, Complete, Gum and Mint Pusher and Spring
32	801 C-125-12	Roll Pin (1/8 x 3/4)
33	440265	Pusher Only
34	440274	Roller, Gum and Mint Pusher
35	201691	Shelf Closer

Items available free of charge to our customers at www.automatixproducts.com

delivery bin

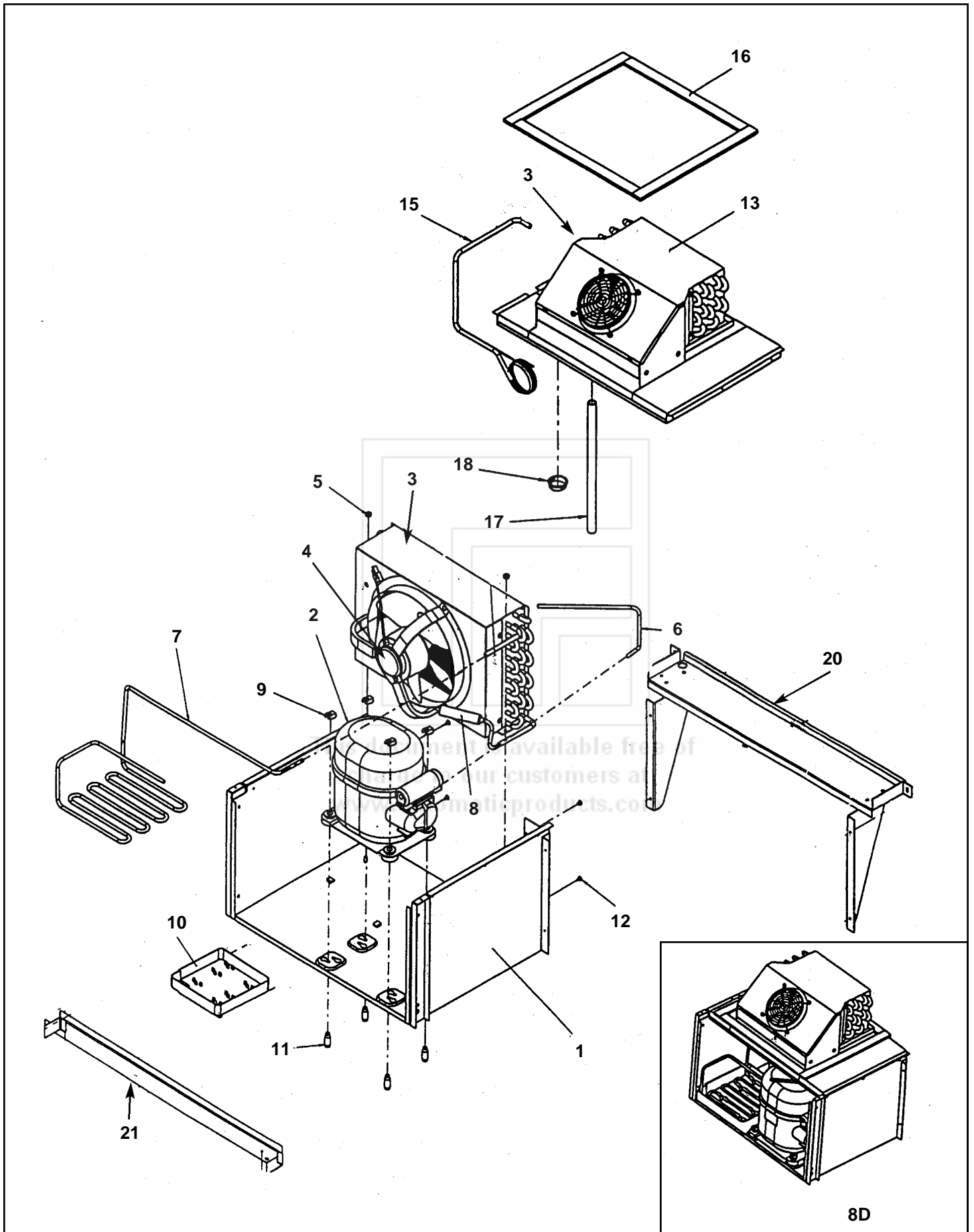


Item No.	Part No.	Description
1	660558-2	Delivery Bin Assembly, Complete, Gray
	660558	Delivery Bin Assembly, Complete, Black
	600704	Delivery Bin Only
2	640187-1	Arm Mounting Bracket
3	438-8	Nut, Keps (8-32)
4	640098	Inner Door Bin Arm
5	640100-1	Bin Door Drive Assembly
6	751-37	Retaining Ring (37)
7	276-8R6	Screw, Pan Head, Self Tap, Phillips (8-32 x 3/8)
8	640097	Door Drive Arm
9	440129	Door Bearing
	420282	Bin Door Washer (not shown)
10	200763	Inner Door
	200763-3	Inner Door, Steel
12	440373-2	Door, Delivery Bin, Gray
	440373	Door, Delivery Bin, Black
13	202285	Arm Mounting Bracket (lock side)
14	200902-1	Baffle, Rear Delivery Bin
15	200906	Delivery Bin Anchor Strap
16	420315	Delivery Bin Pad Assembly, Can Dispenser

Item No.	Part No.	Description

This document is available free of charge to our customers at www.automatixproducts.com

refrigeration assembly



refrigeration assembly

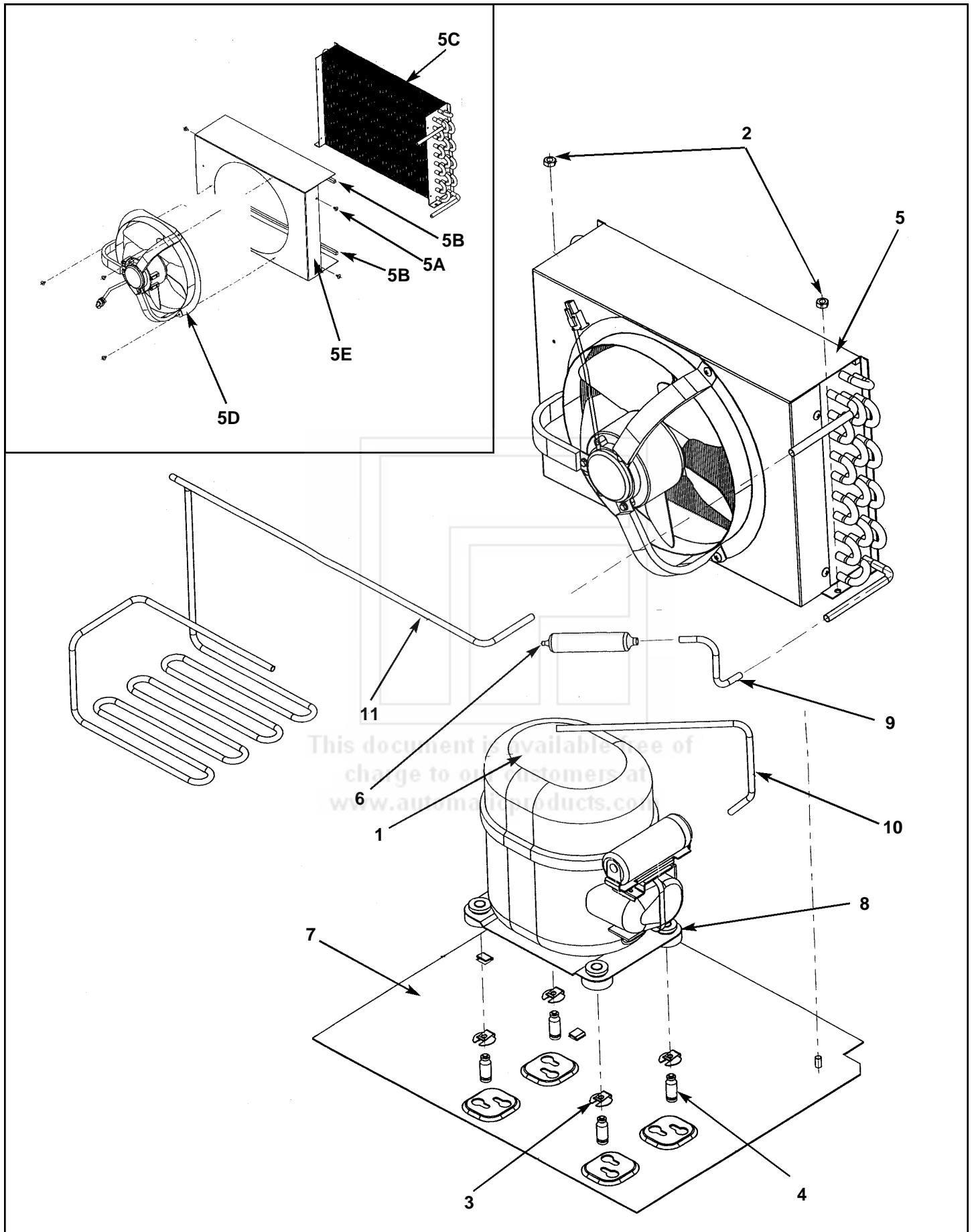
Key	Description	117V Ambient	117V Chilled	230V, 50 Hz Ambient	230V, 50 Hz Chilled	220V, 60 Hz Chilled
	Compressor Assembly Complete	16600101	16600102	16600101-01	16600102-01	16600103
1	Condenser Assembly Only, Complete	16600164-02	16600164	16600164-03	1660164-01	16600164-04
1a	Chassis Weldment	16600105	16600105	16600105	16600105	16600105
2	Compressor Complete w/Start Components	16700001	360270	16700002	360271	16700004
2a	Compressor Only	16700001-01	360270-1	16700002-01	360271-1	16700004-01
2b	Start Capacitor	16700001-02	360270-2	16700002-02	360271-2	16700004-08
2c	Compressor Foot	16700001-04	360270-4	16700002-04	360271-4	16700004-05
2d	Capacitor End Cap	16700001-05	360270-5	16700002-05	360271-3	16700004-09
2e	Thermal Overload Switch	16700001-08	360270-8	16700002-08	360271-8	16700004-04
2f	Start Relay	16700001-11	360270-11	16700002-11	360271-11	16700004-10
3	Condenser Coil Only w/fan and motor	660720	660720	660720-1	660720-1	660720-1
3a	Condenser Coil Only	420422	420422	420422	420422	420422
3b	Condenser Shroud	202879	202879	202879	202879	202879
4	Condenser fan w/housing	360269	360269	360269-1	360269-1	360269-1
5	1/4 x 20 Keps Nut	438-41	438-41	438-41	438-41	438-41
6	Tube Process	420425	420425	420425-1	420425-1	12100006
7	Tube, Compressor Discharge	12100001-02	12100001	12100001-01	12100001-01	12100007
8	Drier	12100021	12100021	12100021	12100021	12100021
9	Compressor Mounting Clip	420426	420426	420426	420426	420426
10	Condensation Pan	440459	440459	440459	440459	440459
11	Compressor Mounting Pin	300225	300225	300225	300225	300225
12	#8 x 3/8 Pan Head Screw	210-8R6	210-8R6	210-8R6	210-8R6	210-8R6
13	Evaporator Assembly Complete, w/fan	16600029	660715	16600029-01	660715-1	660715-1
13a	Evaporator Coil	12100002	12100002	12100002	12100002	12100002
13b	Evaporator Pan Assembly	660719	660719	660719	660719	660719
14	Evaporator Fan Assembly	16600027	660716	16600027-01	660716-1	660716-1
14a	Evaporator Fan Motor	360202	360202	360202-1	360202-1	360202-1
14b	Evaporator Fan Guard	400196	400196	400196	400196	
15	Capillary/Suction Line Assembly	420423-2	420423	420423-1	420423	12100008
16	Foam Adhesive Back (67 Inches)	420391	420391	420391	420391	420391
17	Drain Tube	440318-4	440318-4	440318-4	440318-4	440318-4
18	Open/Close Bushing	420318	420318	420318	420318	420318
19	Timer Bypass Harness (Not Shown)	16800089	16800089	16800089	16800089	16800089
20	Front Cooler Support Only 128/LCM5	600833	600833	600833	600833	600833
20a	Front Cooler Support Only 129/LCM4	16000012	16000012	16000012	16000012	16000012
21	Rear Bracket Support Only 128/LCM5	202880	202880	202880	202880	202880
21a	Rear Bracket Support Only 129/LCM4	12000019	12000019	12000019	12000019	12000019
22	Harness, Compressor (Not Shown)	680651	680651	680651	680651	16800027

Note 1: Complete Compressor Assemblies do not include Item Numbers 20 or 21, Remove these parts before sending in a Compressor Assembly for repair.

Ambient Machines=only the can compartment is cooled.

Chilled Machines=both the can and the snack compartment are chilled.

condensing unit assembly



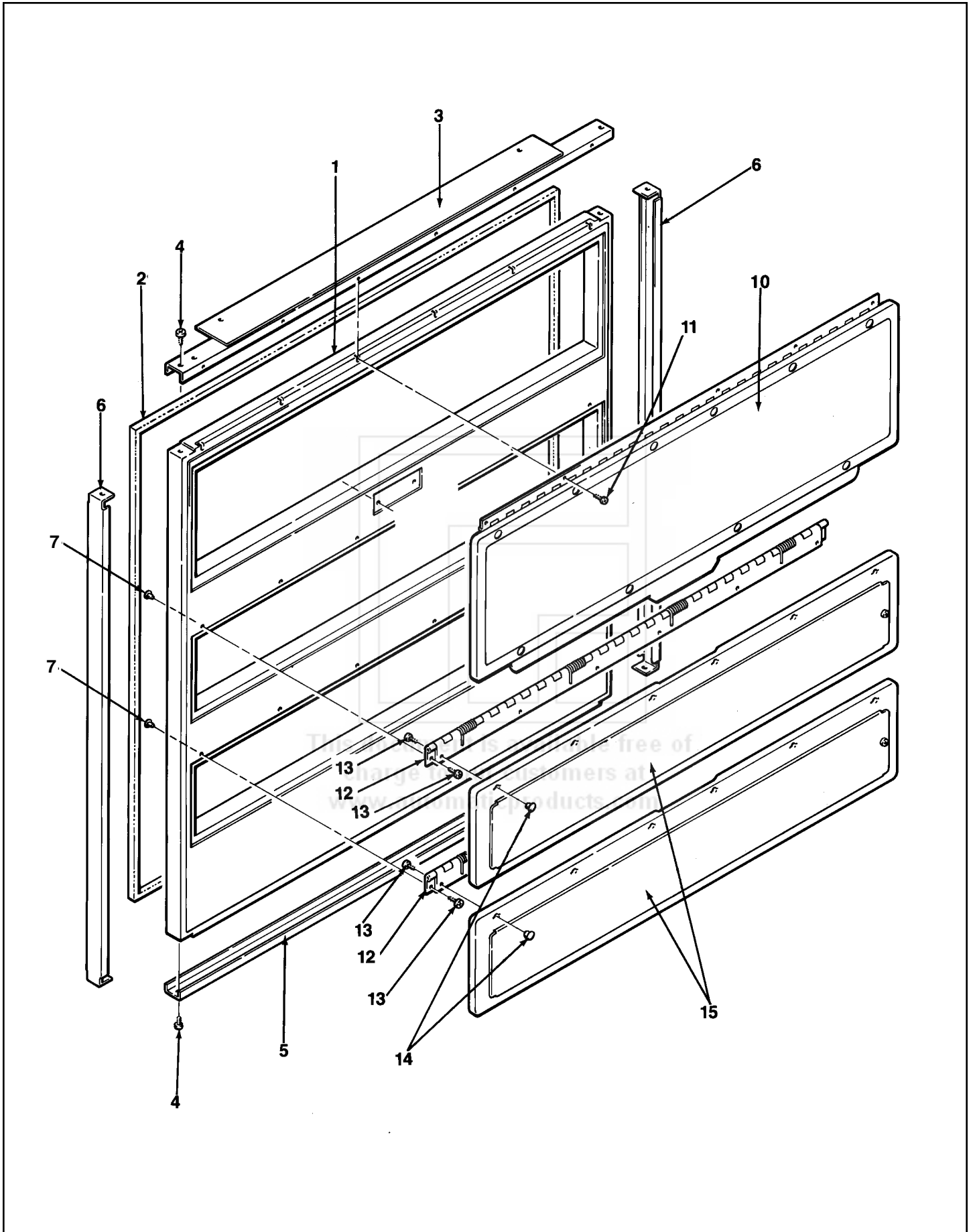
condensing unit assembly

Item No.	Part No.	Description
1	660704	Assembly Complete Condensing Unit, 120 Volt, LCM4, Chilled
	660704-01	Assembly Complete Condensing Unit, 230 Volt, LCM4, Chilled
	660704-02	Assembly Complete Condensing Unit, 120 Volt, LCM4, Ambient
	660704-03	Assembly Complete Condensing Unit, 230 Volt, LCM4, Ambient
	360270	Compressor Only. 120 Volt, Chilled
	360271	Compressor Only. 230 Volt, Chilled
	16700001	Compressor Only. 120 Volt, Ambient
	16700002	Compressor Only. 230 Volt, Ambient
2	438-41	Nut, Keps (1/4-20)
3	420426	Compressor Mounting Clip.
4	300225	Compressor Mounting Pin.
5	660720	Assembly, Condenser, 120 Volt
	660720-1	Assembly Condenser, 230 Volt
5A	210-8R6	Screw Ph Tr/Nibs Hd.(#8 x 3/8) Qty 7
5B	460041	Aero Foam - Adhesive Backed (14 inches each)
5C	420422	Condenser Coil
5D	360269	Condenser Fan w/Housing
	360269-1	Condenser Fan w/Housing, 230 Volt
5E	202879	Condenser Shroud
6	12100021	Drier
7	640240	Refrigeration Mounting Plate Assembly
8	460713	Plastic Base LCM4, 120V w/Wide Spaced Pins
	460728	Plastic Base LCM4, 220V w/Narrow Spaced Pins
9	420428	Tube - Cond. Outlet
10	420425	Tube - Process, 120 Volt
	420425-01	Tube - Process, 230 Volt
11	12100001	Tube - Compressor Discharge, 120 Volt, Chilled
	12100001-01	Tube - Compressor Discharge, 230 Volt, Chilled
	12100001-02	Tube - Compressor Discharge, 120 Volt, Ambient
	12100000-1	Tube - Compressor Discharge, 230 Volt, Ambient

Item No.	Part No.	Description

is available free of charge to all customers at
www.automatixproducts.com

door assembly

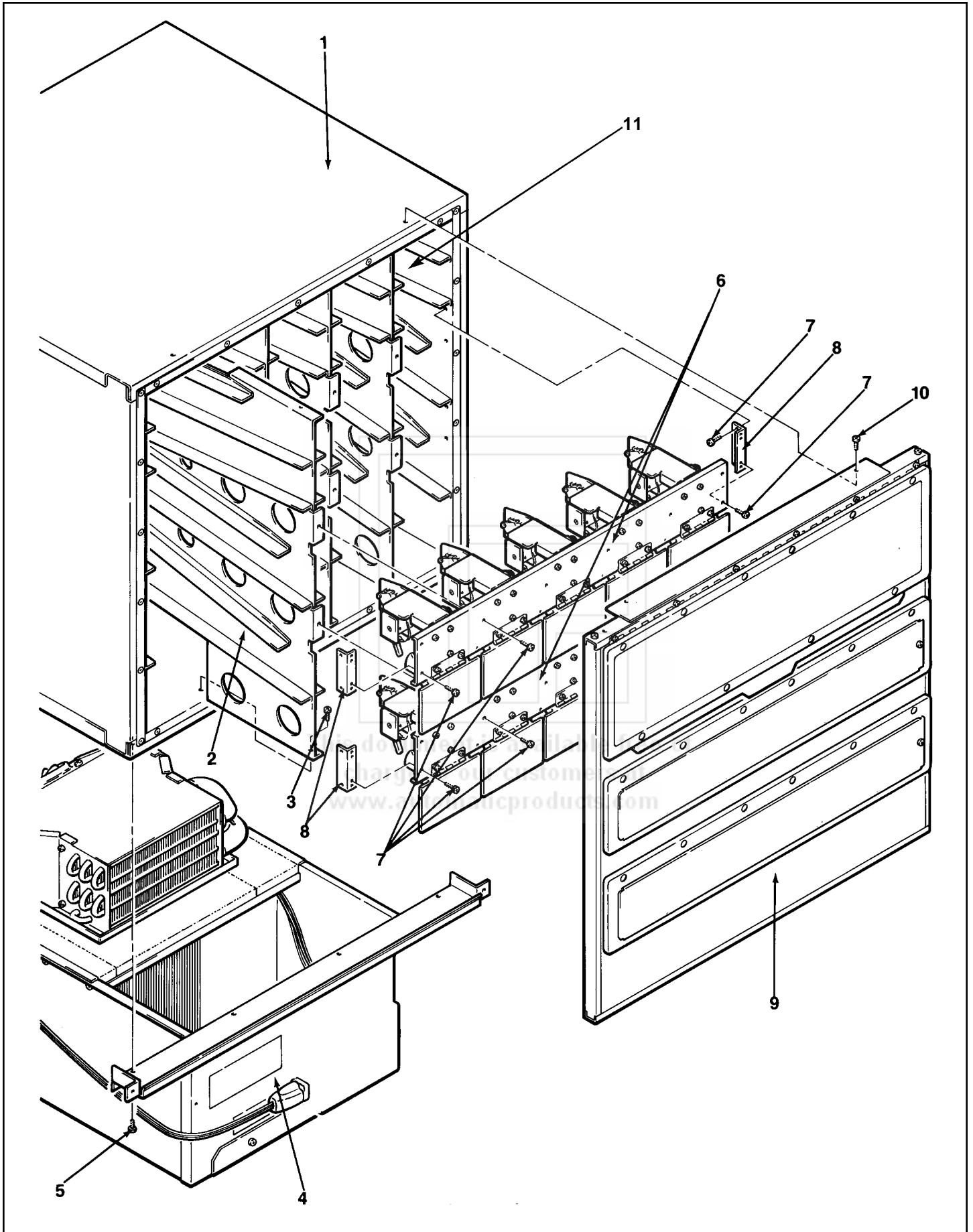


Item No.	Part No.	Description
	660713	Front Panel Cooler Assembly, LCM 4, Ambient
	660714	Front Panel Cooler Assembly, LCM 4 - Chill (includes items 1-15)
1	440395	Frame, Front Panel, LCM 4, Ambient
	440441	Frame, Front Panel, LCM 4 Chill
2	420314	Gasket
3	600697	Top Support Weldment, Cooler Front
4	210-8R6	Screw, Truss Head, Type A (8 x 3/8)
5	202393-1	Bottom Support, Cooler Front
6	202394	Side Support, Cooler Front
7	440398-1	Shoulder Nut, Plastic, Short
10	660709	Service Door Assembly (see page 43)
11	217H6R5	Screw, Truss Head, Type B (6 x 5/16)
12	460677	Hinge Assembly, Vend Door, Complete
13	217H6R8	Screw, Pan Head, Phillips, Type B (6 x 1/2)
14	440398	Shoulder Nut, Plastic, Long
15	660708	Vend Door Assembly (see page 43)

Item No.	Part No.	Description

This document is available free of charge to our customers at www.automatixproducts.com

cooler unit

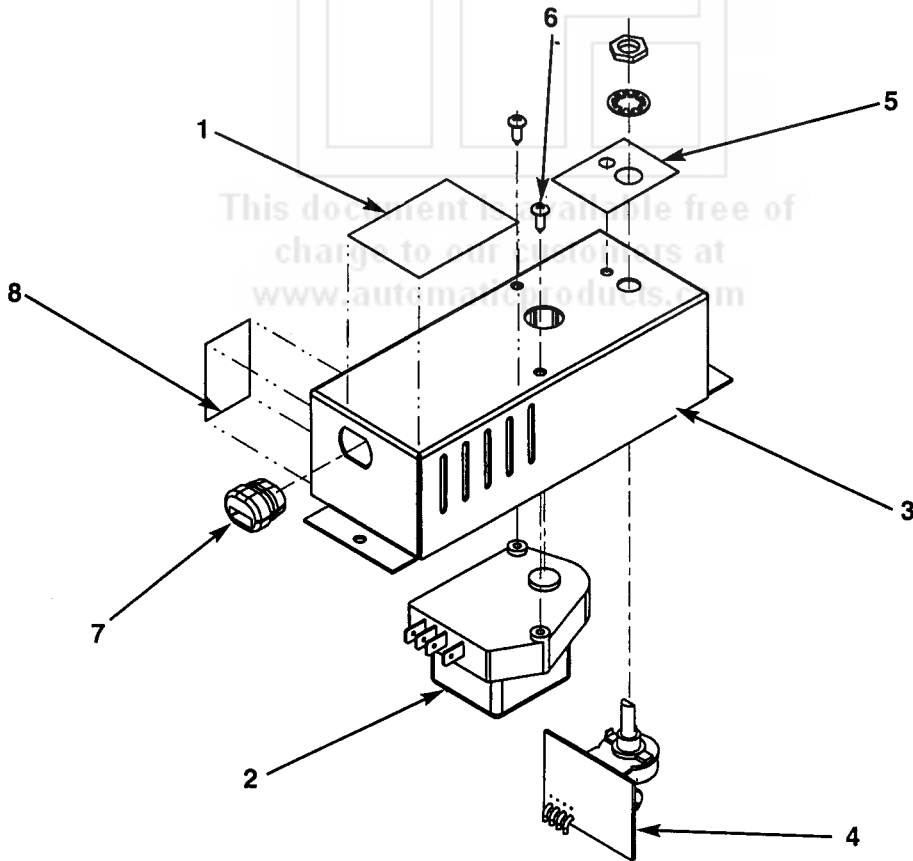
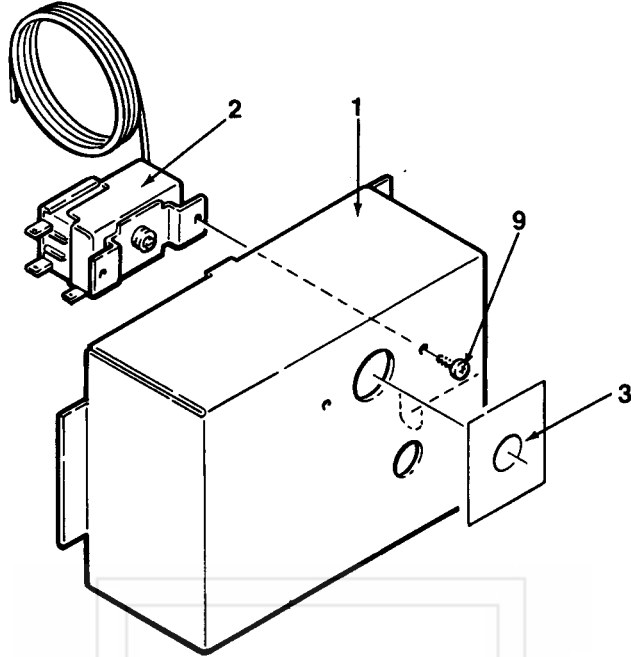


Item No.	Part No.	Description
1	16600033-01	Cooler Assembly Only, US (355 ML) AMB
	16600034-01	Cooler Assembly Only, (375 ML) AMB Special 5 3/8 Aust.
	16600023-01	Cooler Assembly, UK (330 ML) AMB
	16600037-01	Cooler Assembly, UK/Juice AMB
	16600033	Cooler Assembly, US (355 ML) Chill
	16600034	Cooler Assembly, Aust. (375 ML) Chill
	16600023	Cooler Assembly, UK (330 ML) Chill
	16600037	Cooler Assembly, UK/Juice Chill
	600696	Cabinet Only, 120V & 240V
	660643	Assembly, Cross Flow Blower & Bracket (Not Shown)
	360235	Blower Only
2	640195	Divider Panel Assembly
	640197	Assy. Divider Panel U.K.
	640198	Assy Divider Panel Guides Both Sides
	640199	Assy Divider Panel Guides Both Sides
	640200	Assy Divider Panel Guides Both Sides
3	276-6R4	Screw, Pan Head, Type 23 (6-32 x 1/4)
4		Compressor Unit, Assembly Complete (see page 33)
5	210-8R6	Screw, Pan Head, Type A (#8 x 3/8)
6	660538	Vend Motor Rack Assembly (see page 45)
7	276-8R6	Screw, Pan Head, Type 23 (8-32 x 3/8)
8	202398	Motor Rack Mounting Bracket
9	660713	Front Panel, Cooler Assembly, LCM 4 (see page 37)
	660714	Front Panel, Cooler Assembly, LCM 4 Chill
10	217-8R10	Screw, Pan Head, Type B (#8 x 5/8)
11	202441	Filler Plate (Not Shown)
	202441-1	Filler Plate European
	202441-2	Filler Plate Australian

Item No.	Part No.	Description

This document is available free of charge to our customers at www.automaticeproducts.com

cold control/timer assembly



cold control

Item No.	Part No.	Description
1	660693 202849 202366 460642	Cold Assembly, 120V (Includes items 1-7) LCM4 Cold Control Housing Only, 120V Cold Control Housing Only, 220/240V Decal, Voltage Disconnect (Not Shown)
2	360204 680648	Cold Control Switch Cold Control Harness (Not Shown)
3	460571	Label, Cold Control
4	276-8R6	Screw, Pan Head (8-32 x 7/16)

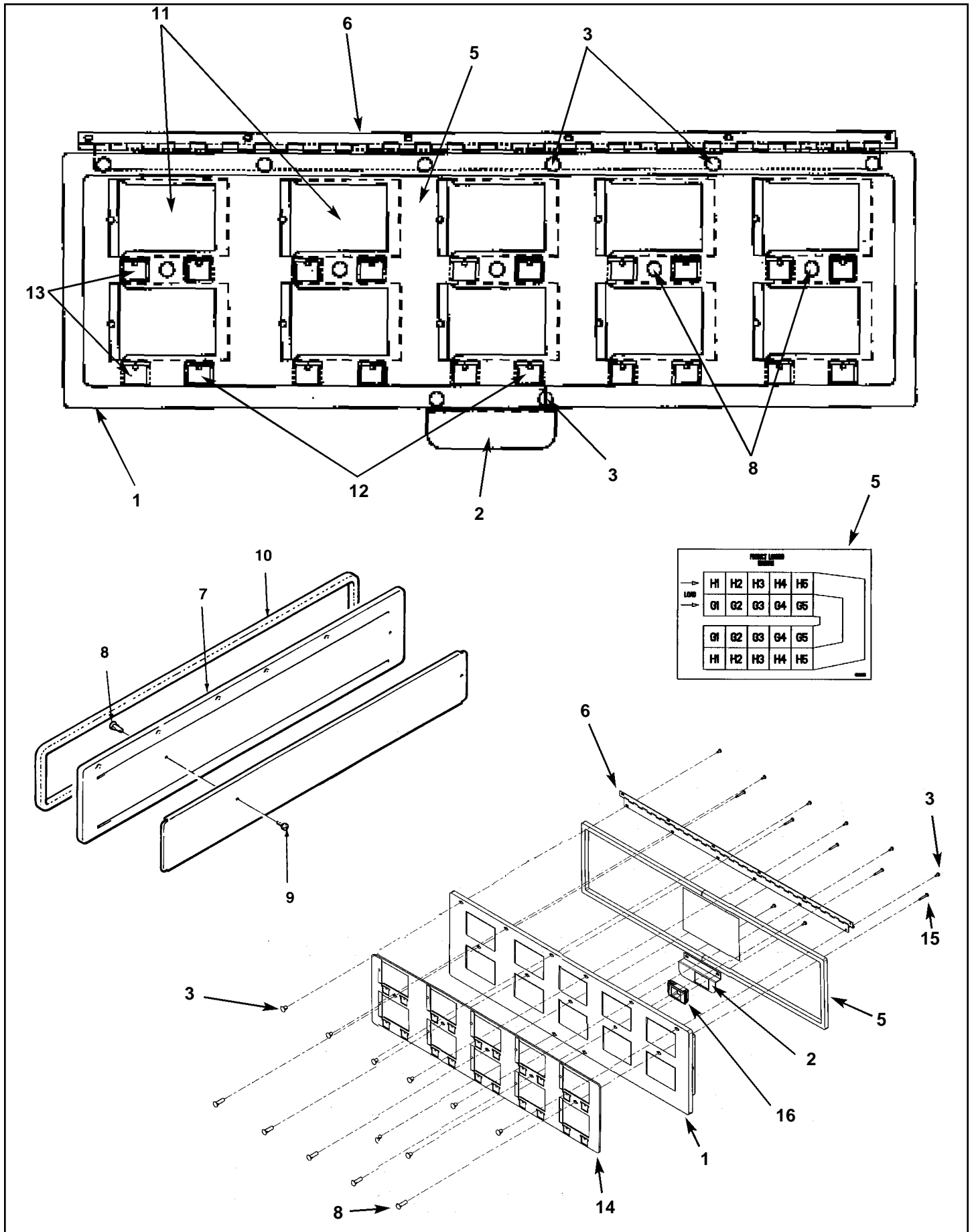
Item No.	Part No.	Description

timer assembly

Item No.	Part No.	Description
1	16600031	Assembly Complete. Timer/Snack Control. 120V LCM4
	16600031-01	Assembly Complete. Timer/Snack Control. 220V LCM4
	660690-2	Assembly Complete. Timer/Snack Control. 220V Chill
2	16600031-01	Assembly Complete. Timer/Snack Control. 208/240V - 50 HZ
	460642	Decal, Voltage Disconnect
	380320	Defrost Timer 120V
	380320-01	Defrost Timer. 208/240V
	380320-02	Defrost Timer 220V

Item No.	Part No.	Description
3	202844	Defrost Timer Box Only
	680650	Defrost Timer Harness LCM4/5 Chill (Not Shown)
4	360248	Assembly Fan Control PC Board LCM4/5 Chill
5	460709	Label, Snack Section Cold Control
	380293	Molex Plug. 4 Pin (Not Shown)
6	201-6R7	Screw, Right Hand, Type B #6 x 7/16
7	380052-5	Strain Relief Bushing
8	460458-03	Voltage Decal 208/220/240

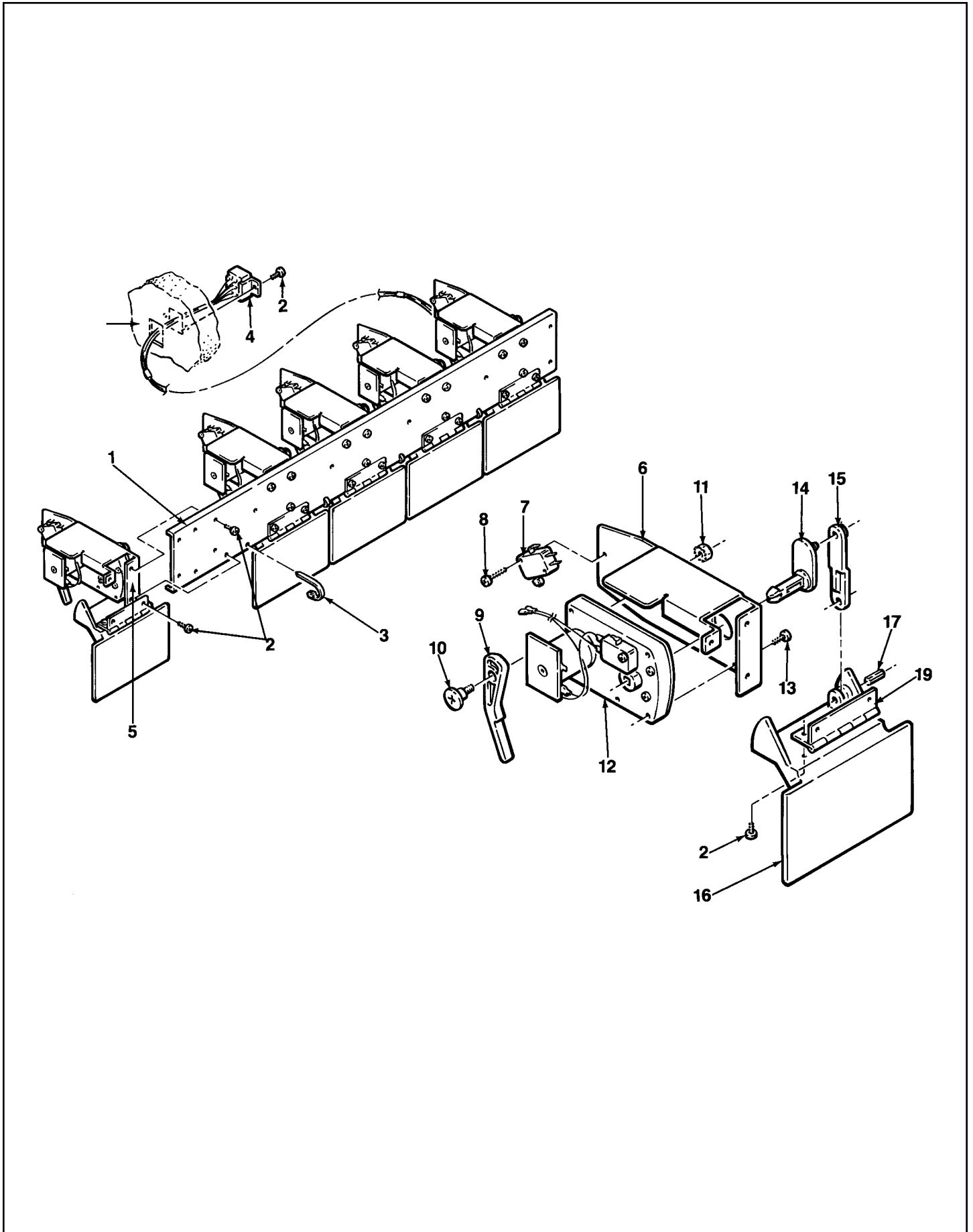
can door assembly



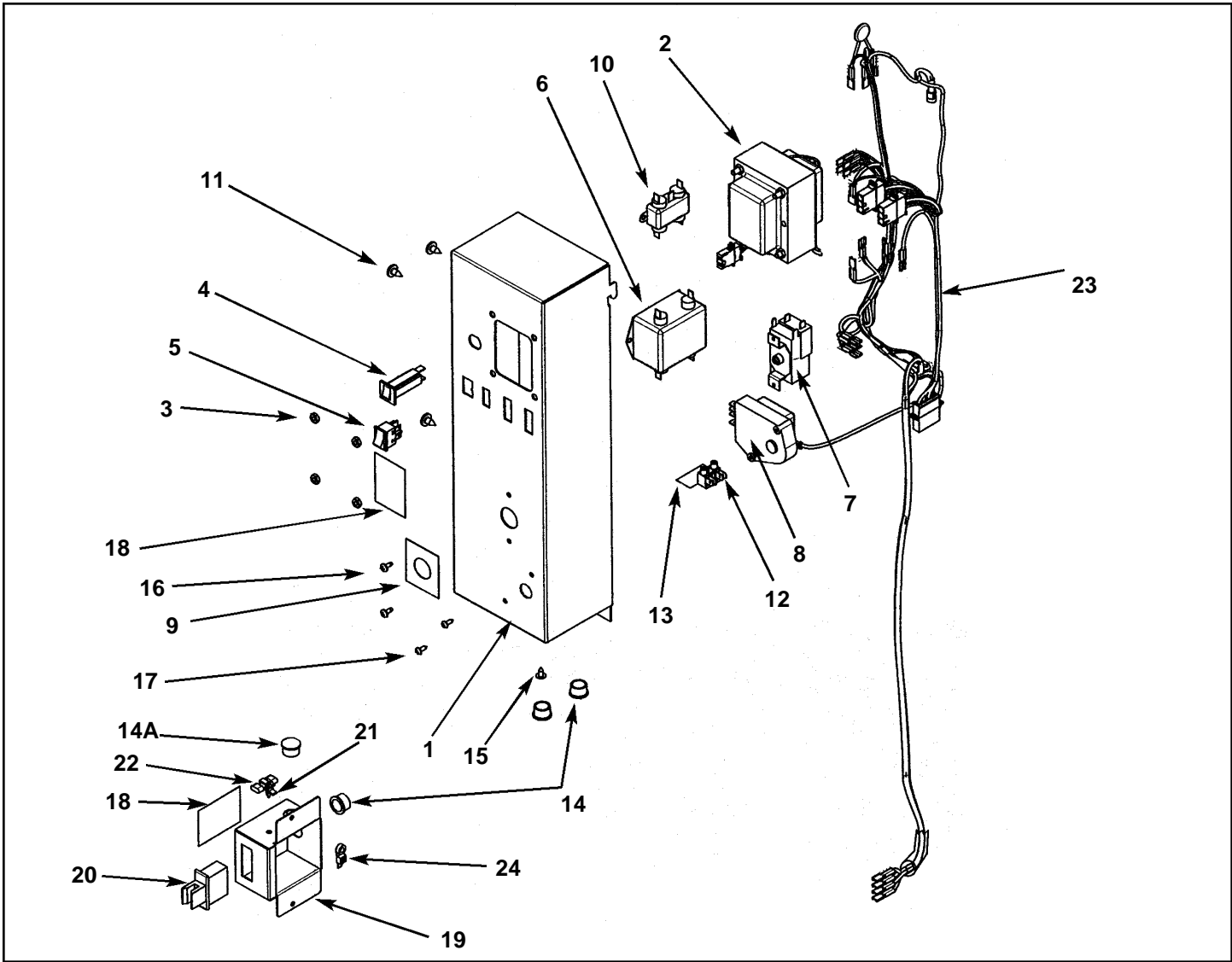
Item No.	Part No.	Description
1	660709	Service Door Assembly (includes items 1-8)
	440453	Service Door Only
2	202848	Handle Service Door
3	440398-1	Shoulder Nut, Plastic (21/32) Qty. 8
	217H6R5	Screw, Pan Head, Type B (#6 x 5/16) Qty 8
5	460635	Decal, "Product Loading Diagram"
	460771-1	Decal, "Service Door Front" Only
	420347	Gasket 63" Qty 2 pcs.
6	460632	Hinge, Service Door
7	660708	Vend Door Assembly
	440455	Vend Door With Decal Only
8	440398	Shoulder Nut, Plastic (3/4) Qty 5
9	217H6R8	Screw, Pan Head, Type B (#6 x 1/2) Qty. 5
10	420346	Gasket 59" Qty. 2 pcs.
11	660551	Labels, Assorted Selections
12	460347	Tabs, Price, Assorted 25¢ - \$1.50
	460602	Tabs, Price, Assorted \$3.10 - \$4.05
	460347-1	Tabs, Price, All 30¢ - 35¢
	460347-2	Tabs, Price, All 40¢ - 45¢
	460347-3	Tabs, Price, All 50¢ - 55¢
	460347-4	Tabs, Price, All 60¢ - 65¢
	460347-5	Tabs, Price, All 70¢ - 75¢
	460347-6	Tabs, Price, All 80¢ - 85¢
	460347-7	Tabs, Price, All 90¢ - 95¢
	460347-8	Tabs, Price, All \$1.00 - \$1.05
	460347-9	Tabs, Price, All \$1.10 - \$1.15
	460347-10	Tabs, Price, All \$1.20 - \$1.25
	460347-11	Tabs, Price, All \$1.30 - \$1.35
	460347-12	Tabs, Price, All \$1.40 - \$1.45
	460347-13	Tabs, Price, All \$1.50 - \$1.55
	460347-14	Tabs, Price, All \$1.60 - \$1.65
	460347-15	Tabs, Price, All \$1.70 - \$1.75
	460347-16	Tabs, Price, All \$1.80 - \$1.85
	460347-17	Tabs, Price, All \$1.90 - \$1.95
	460347-18	Tabs, Price, All \$2.00 - \$2.05
	460347-19	Tabs, Price, All \$2.10 - \$2.15
	460347-20	Tabs, Price, All \$2.20 - \$2.25
	460347-21	Tabs, Price, All \$2.30 - \$2.35
	460347-22	Tabs, Price, All \$2.40 - \$2.45
	460347-23	Tabs, Price, All \$2.50 - \$2.55
	460347-24	Tabs, Price, All \$2.60 - \$2.65
	460347-25	Tabs, Price, All \$2.70 - \$2.75
	460347-26	Tabs, Price, All \$2.80 - \$2.85
	460347-27	Tabs, Price, All \$2.90 - \$2.95
	460347-28	Tabs, Price, All \$3.00 - \$3.05
	460529	Tabs, Price, French
	460540	Tabs, Price, Mexico
13	460436	Item Tabs
14	440458	Price/Selection Trim Frame
15	217H6R14	Screw, Pan Head, Type B (#6 x 7/8)
16	13100009	Latch, Push to Close (.050 THK)

Item No.	Part No.	Description

vend motor assembly

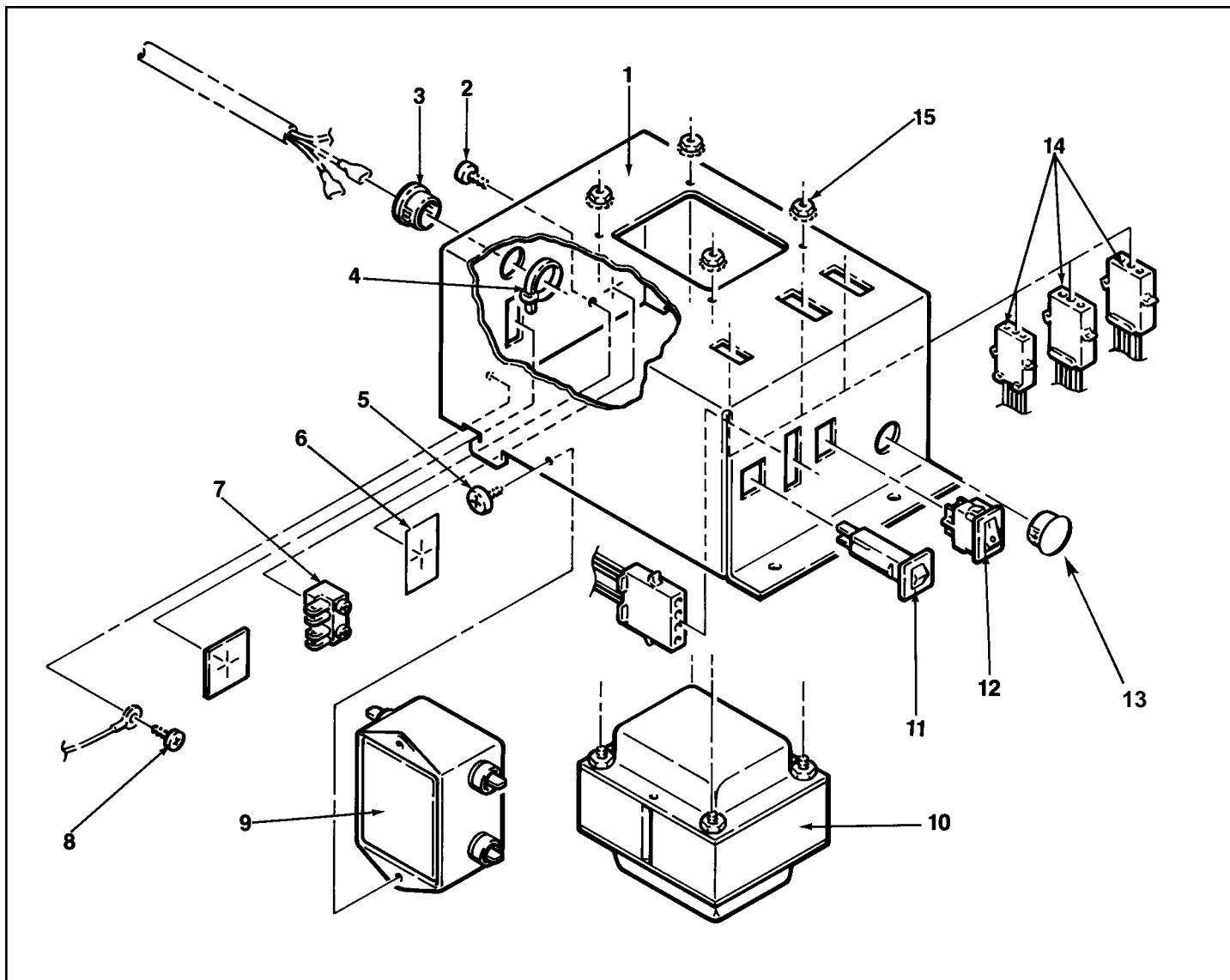


main junction box



Item No.	Part No.	Description
1	16600070	Assembly Junction Box, 120V, AMB, LCM
	16600051	Assembly Junction Box, 120V, LCM Chill
	16600071-01	Assembly Junction Box,120V, LCM Export
	16600072-01	Assembly Junction Box,230V, LCM Export
	16600056-01	Assembly Junction Box,120V, LCM Chilled Export
	16600052-01	Assembly Junction Box,230V, 50HZ,LCM Chilled Export
	16600052-03	Assembly Junction Box,220V, 60HZ,LCM Chilled Export
	12000098	Junction Box Only
	2	13900001
	13900002	PS Transformer, 230V
3	438-8	Nut, Keps (438-8)
4	380241	Circuit Breaker, 3 AMP
5	380243	Switch, Rocker (On-Off)
6	380304	Filter, P.S.
7	13600002	Cold Control
8	380320	Defrost Timer, 120V
	380320-1	Defrost Timer, 230V
	380320-2	Defrost Timer, 220V, 60HZ
9	460571	Label, Cold Control
10	380303	Filter-Light
11	216-41R8	Screw, PN/NIBS HD Type AB (1/4 x 1/2)

Item No.	Part No.	Description
12	380285	Terminal Block
13	440065	Mylar Insulation
14	420040-2	Snap Bushing/Hole Plugs (1/2)
14A	420040-1	Snap Bushing/Hole Plugs (5/8)
	420040-12	Snap Bushing/Hole Plugs (7/8)
15	210-8R6	Screw PH TR/NIBS A (#8 x 3/8)
16	276-8R6	Screw PH PAN HD T-23 (8-32 x 3/8)
17	201-6R7	Screw RD HD Type B (#6 x 7/16)
18	460642	Decal, Voltage Disconnect
19	202843	Door Switch Box
	12000122	Door Switch Box, Export
20	380262	Door Switch, Export
21	380321	Wire Saddle Side Entry
22	380263	Cheat Interlock Tool
23	16800021	Harness Junction Box, LCM Domestic Chill
	16800031	Harness Junction Box AMB, Domestic, 120V
	16800014	Harness Junction Box, Export Chill, 220/230V
	16800014-01	Harness Junction Box,Export Chill 120V
	16800030-01	Harness Junction Box AMB, Export 120V
	16800030	Harness Junction Box AMB, Export 230V
24	380078	Cable Tie

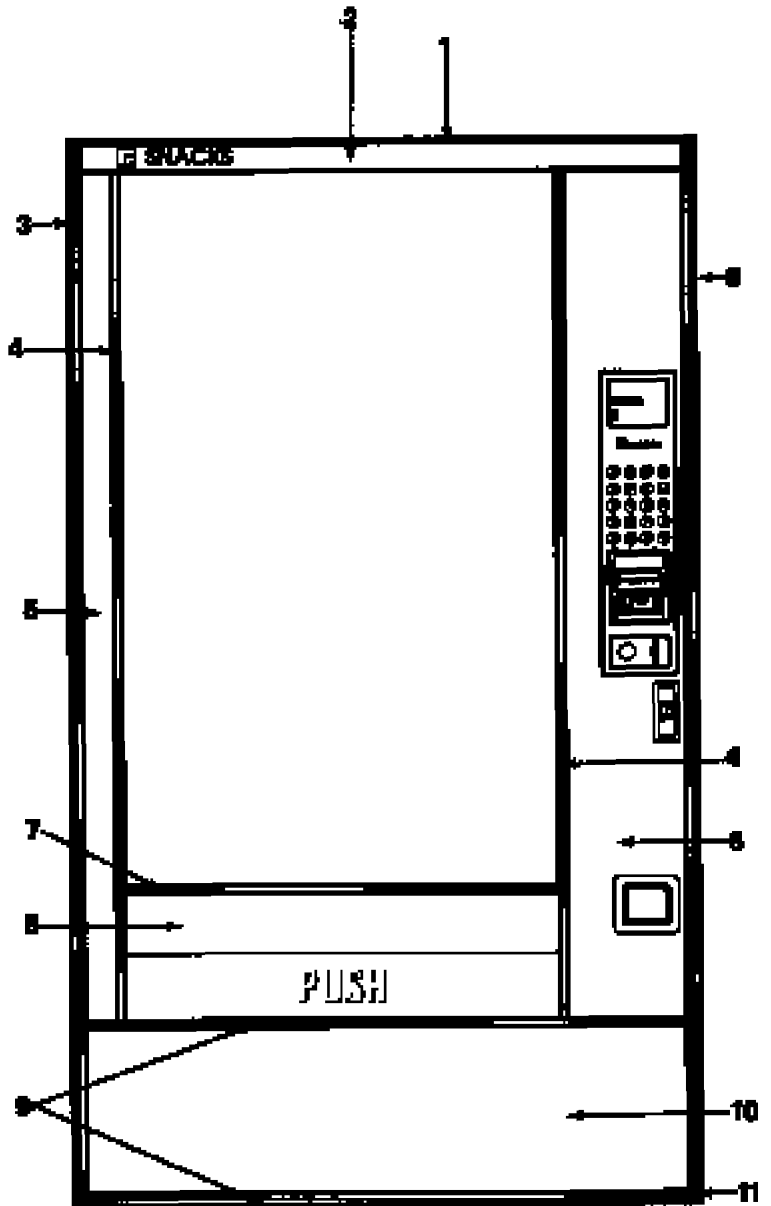


Item No.	Part No.	Description
1	660549	Main Junction Box Assembly, Complete, LCM4 & LCM3 Chilled, 230 Volt, France
	660549-1	Main Junction Box Assembly, Complete, LCM4, 240 Volt, Multisnack
	660548-1	Main Junction Box Assembly, Complete, LCM4, 230 Volt, Australia
	202355	Main Junction Box Only
2	210-8R6	Screw, Pan Head, Self Tap (8 x 3/8)
3	420040-2	Snap Bushing (1/2)
4	380078	Cable Tie
5	216-41R8	Screw, Pan Head, Type AB (1/4 - 1/2)

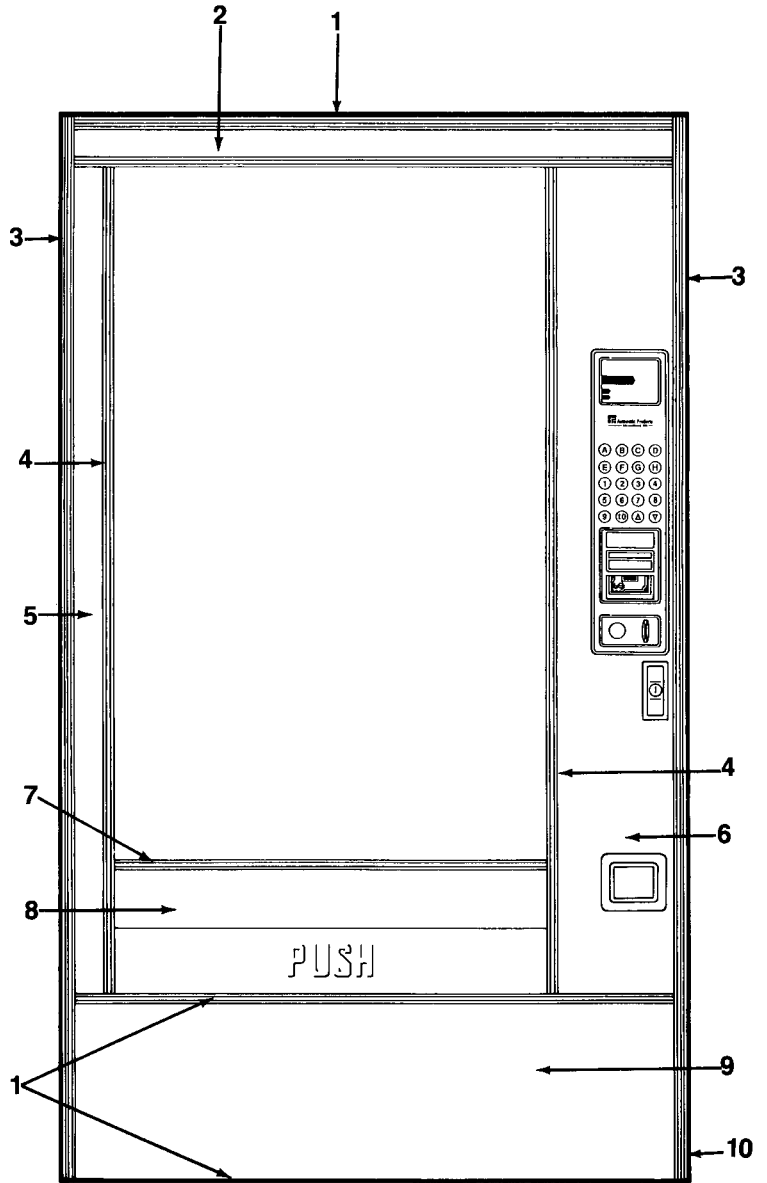
Item No.	Part No.	Description
6	440065	Mylar Insulation
7	380285	Terminal Block
8	276-8R4	Screw, Pan Head, Self Tap (8-32 x 1/4)
9	380304	RFI Filter
10	360203	Transformer, 220/240 Volt
11	380241	Circuit Breaker, 3 Amp
12	380243	Rocker Switch
13	420040-1	Snap Plug (1/2)
14	680570-1	Harness, Junction Box, 220/240 Volt
15	438-8	Nut, Keps (8-32)
		<u>Parts Not Shown</u>
	380262	Door Switch
	460458-2	Voltage Decal 240V
	460458-3	Voltage Decal 230V
	460642	Voltage Disconnect Label
	600698	Door Switch Box Only

AP II style

Item No.	Part No.	Description
1	340044-5	Trim, Top, For use w/Vinyl Insert
2	440258-2	Trim, Top, "Snacks" Insert
3	340057	Trim, Outside Vertical (right or left)
4	340058-2	Trim, Inside Vertical (right or left)
5		PANEL, LEFT SIDE, VERTICAL
	202059	Presidential Walnut, Vinyl
	202059-1	Honeytone Teak, Vinyl
	202059-2	Painted, Specify Color
6		PANEL, RIGHT SIDE VERTICAL
	202412	Presidential Walnut, Vinyl
	202412-2	Honeytone Teak, Vinyl
	202412-22	Painted, Specify Color
	202412-19	Galvanized
7	340058	Trim, Inside Horizontal
8		PANEL, DELIVERY TRAY
	201356	Presidential Walnut, Vinyl
	201356-31	Regency Walnut, Vinyl
	201356-3	Honeytone Teak, Vinyl
	201356-6	Painted, Specify Color
9	340055-3	Trim, Inside Horizontal
10		PANEL, LOWER HORIZONTAL
	200296-36	Presidential Walnut, Vinyl
	200296-39	Honeytone Teak, Vinyl
	200296-42	Painted, Specify Color
11	16000018	Door Only, Specify Color

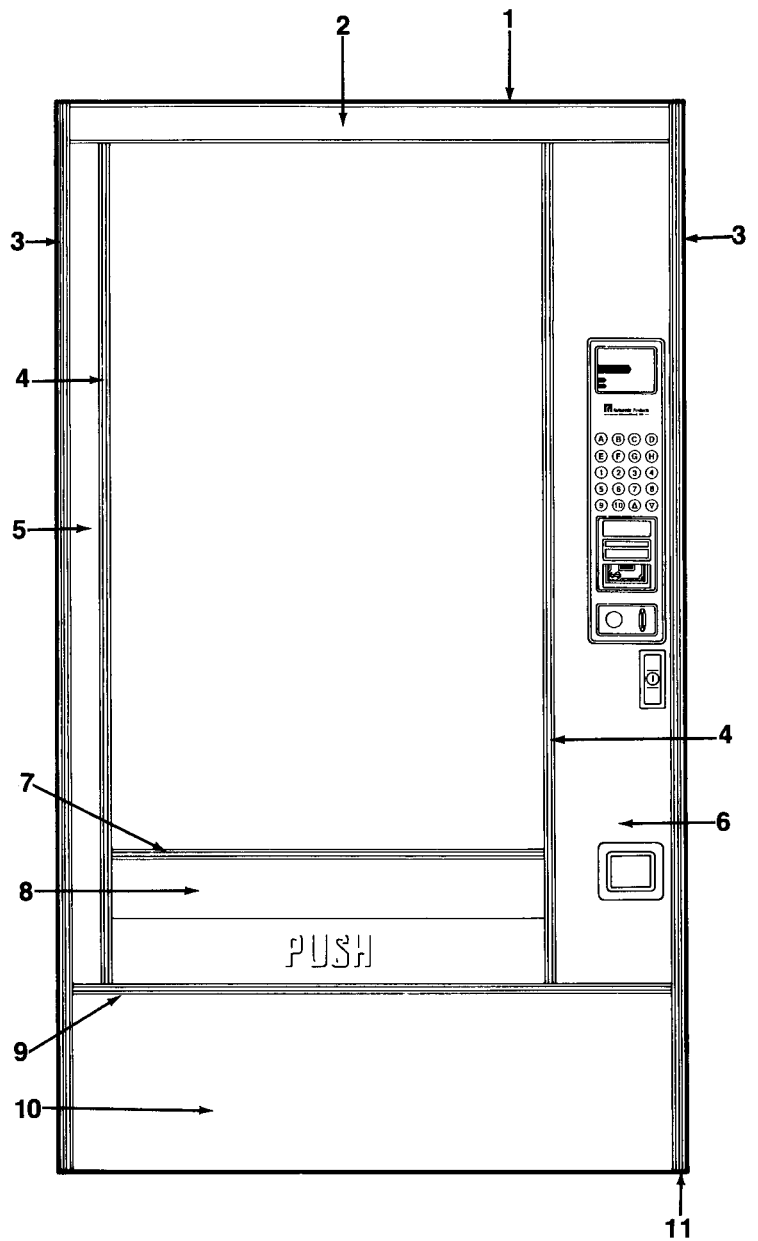


Item No.	Part No.	Description
1	660231-3	Trim, Horizontal w/Black Stripe
2		PANEL, COVERPLATE 3'
	201417	Presidential Walnut, Vinyl
	201417-5	Honeytone Teak, Vinyl
	201417-6	Painted, Specify Color
	201417-23	Black Hide, Vinyl
3	340057	Trim, Outside Vertical (right or left)
4	340058-4	Trim, Inside Vertical (right or left)
5		PANEL, LEFT SIDE VERTICAL
	202059-4	Presidential Walnut, Vinyl
	202059-17	Honeytone Teak, Vinyl
	202059-6	Painted, Specify Color
	202059-5	Port Au Prince, Vinyl
	202059-42	Black Hide
6		PANEL, RIGHT SIDE VERTICAL
	12000042-01	Presidential Walnut, Vinyl
	12000042-03	Honeytone Teak, Vinyl
	202412-23	Painted, Specify Color
	12000042-18	Port Au Prince, Vinyl
	12000042-11	Black Hide
	202412-13	Dove Gray
7	340058	Trim Inside Horizontal
8		PANEL, DELIVERY TRAY
	201356	Presidential Walnut, Vinyl
	201356-3	Honeytone Teak, Vinyl
	201356-6	Painted, Specify Color
	201356-1	Black Hide, Vinyl
9		PANEL, LOWER HORIZONTAL
	200296-36	Presidential Walnut, Vinyl
	200296-39	Honeytone Teak, Vinyl
	200296-42	Painted, Specify Color
	200296-58	Black Hide, Vinyl
10	16000018	Door Only, Specify Color

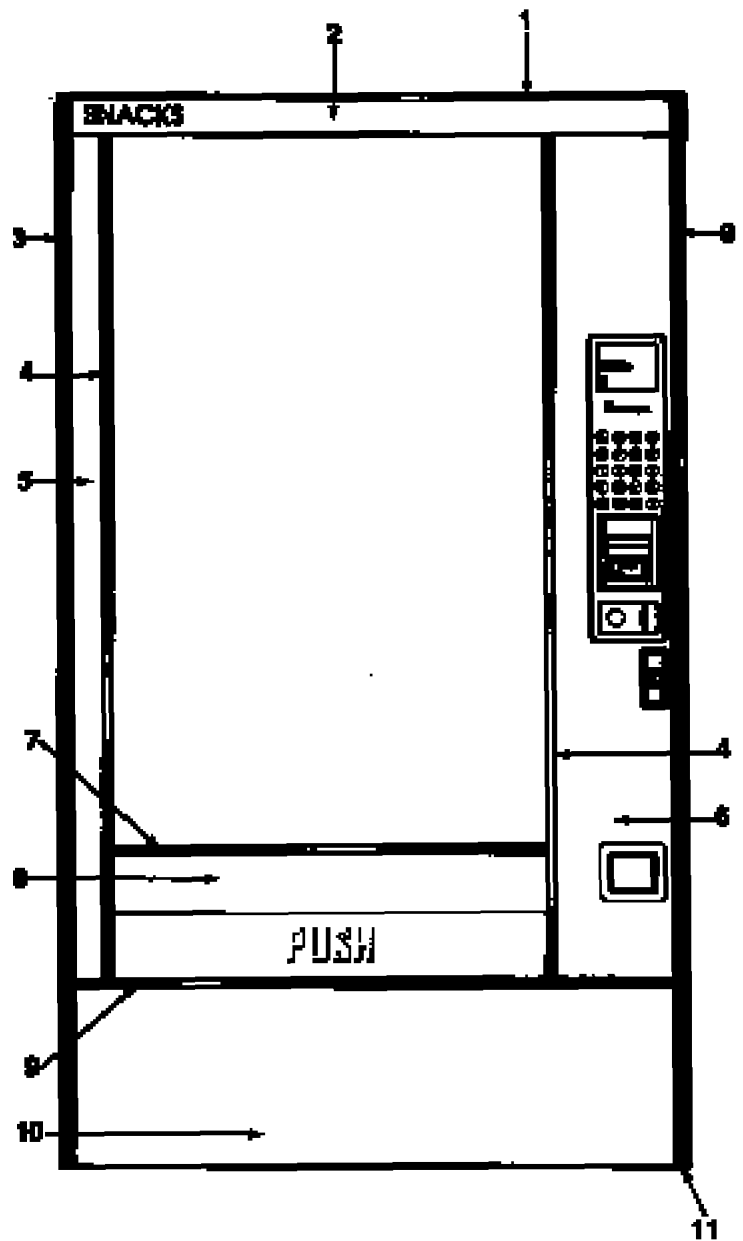


award II style

Item No.	Part No.	Description
1	340042-8	Trim, Top, For use w/Vinyl Insert
2		VINYL INSERT, TOP ONLY
	200526-4	Honeytone Teak, Vinyl
3	340057	Trim, Outside Vertical (right or left)
4	340058-7	Trim, Inside Vertical (right or left)
5		PANEL, LEFT SIDE, VERTICAL
	202059-56	Gray, Vinyl
6		PANEL, RIGHT SIDE VERTICAL
	12000042-07	Gray, Vinyl
7	340058	Trim, Inside Vertical
8		PANEL, DELIVERY TRAY
	201356-38	Gray, Vinyl
9	340055-3	Trim, Inside Horizontal
10		PANEL, LOWER HORIZONTAL
	201692-3	Honeytone Teak, Vinyl
11	16000018	Door Only, Specify Color

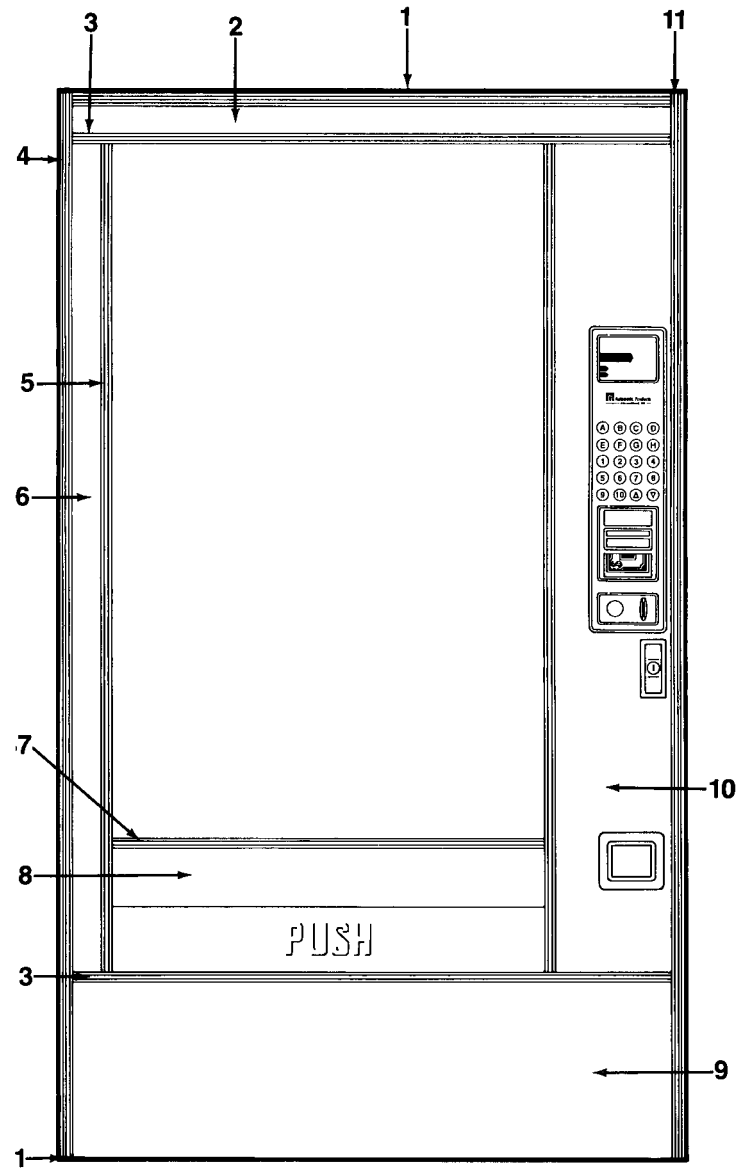


Item No.	Part No.	Description
1	340042-8	Trim, Top, For use w/Vinyl Insert
2	201260	Vinyl Insert, Top Trim, Vinyl
3	340057-2	Trim, Outside Vertical (right or left)
4	340058-7	Trim, Inside Vertical (right or left)
5	202059-52	STERLING ROYCE PANEL, LEFT SIDE, VERTICAL
6	202412-16	STERLING ROYCE PANEL, RIGHT SIDE VERTICAL
7	340058	Trim, Inside Vertical
8	201356-34	STERLING ROYCE PANEL, DELIVERY TRAY
9	340055-3	Trim, inside Horizontal
10	200296-54	STERLING ROYCE PANEL, LOWER HORIZONTAL
11	16000018	Door Only, Specify Color

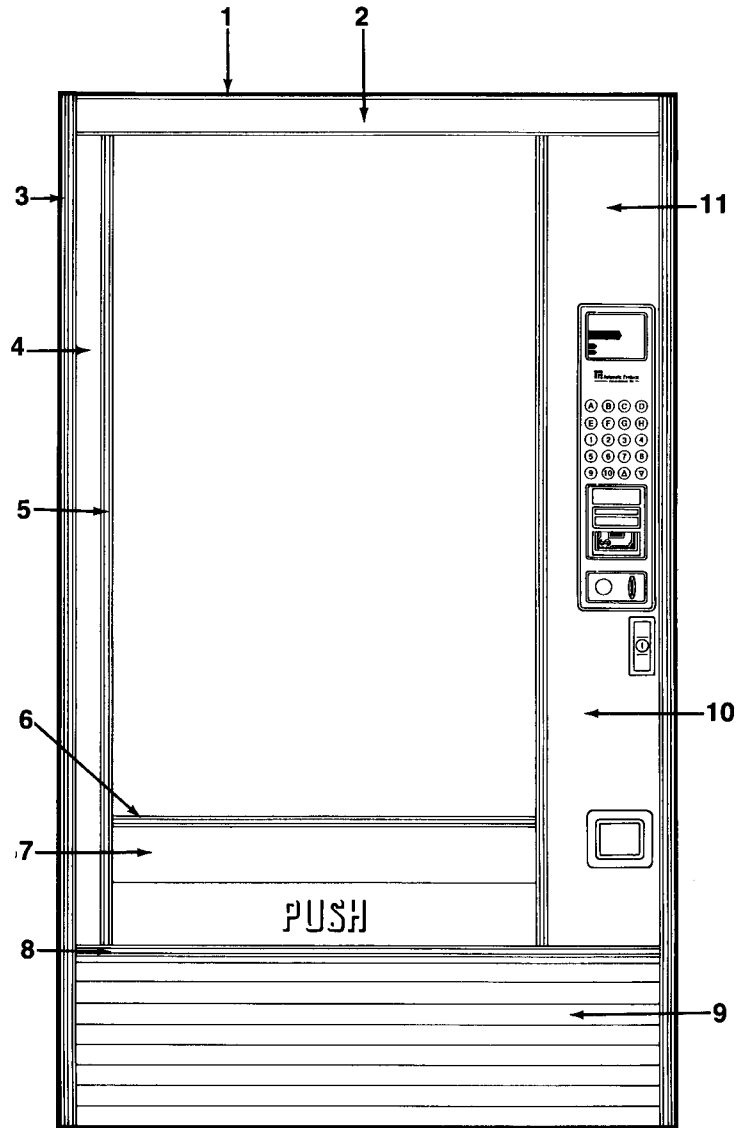


tron II style

Item No.	Part No.	Description
1	340055-9	Trim, Horizontal, Top & Bottom, Black
2	201417-2	Cover Up Plate, Galvanized
	440312-1	Top Insert, Black
3	660231-3	Trim, Horizontal
4	340057-2	Trim, Outside Vertical (right or left), Black
5	340058-8	Trim, Inside Vertical (right or left)
6	202059-54	L S V P Sterling Royce
7	340058	Trim, Horizontal, Window
8	201356-34	Panel, Delivery Tray
9	200296-54	Panel, Lower Horizontal, Sterling Royce
10	12000042-17	R S V P Sterling Royce
11	16000018	Door Only, Specify Color

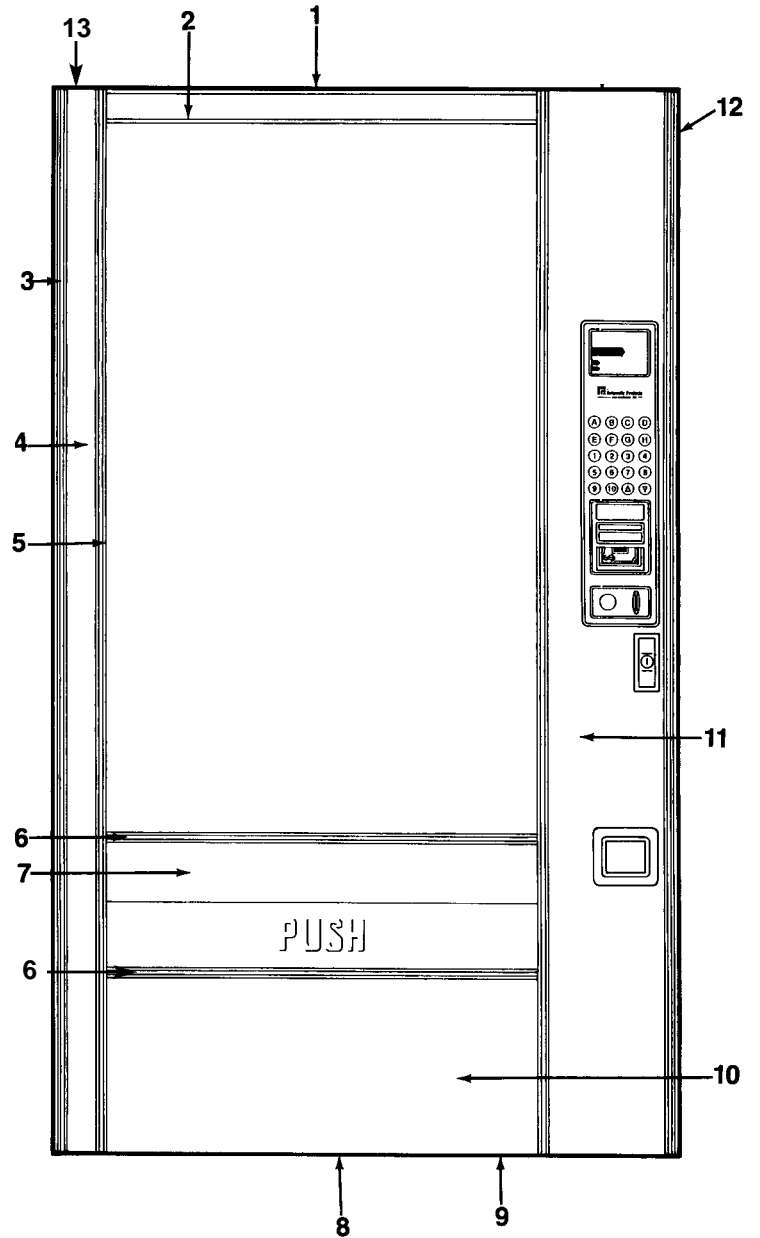


Item No.	Part No.	Description
1	340042-8	Trim, Top, For use w/Vinyl Insert
2	200526-10	Panel, Top Trim, Black Hide
3	340057	Trim, Outside Vertical, Silver
4	202059-42	Panel, Left Side, Vertical, Black Hide
5	340058-6	Trim, Inside Vertical, Black
6	340058-5	Trim, Horizontal Window, Black
7	201356-34	Panel, Delivery Tray, Sterling Royce
8	340055-9	Trim, Horizontal, Black
9	201692-46	Panel, Lower Horizontal, Black Hide w/Stripe
	200296-58	Panel, Lower Horizontal, Black Hide wo/Stripe
	201678	Bottom, Vinyl Door Edging (not shown)
	420186	Screw, HWH, Drill Point, Black (6-20 1/2) Qty. 5
10	12000042-11	Panel, Right Side Vertical, Black Hide
11	16000018	Door Only, Specify Color



vantage style

Item No.	Part No.	Description
1	340044-9	Trim, Top, Vantage
2	201690-2	Trim, Top, Insert, Black Hide
3	340057-2	Trim, Outside Vertical (right or left), Black
4	202059-52	Panel, Left Side Vertical, Sterling Royce
	202059-50	Panel, Left Side Vertical, Dove Gray
	202059-8	Panel, Left Side Vertical, Painted
5	340058-46	Trim, Vertical, Window (right or left), Black
6	340058-5	Trim, Horizontal, Window, Black
7	201356-1	Panel, Delivery Tray, Black Hide
8	201678	Door Edging, Bottom
9	315-6R6	Screw, Pan Head, Type 2, Drill Point (6-20)
10	201692-1	Panel, Lower Horizontal, Black Hide
11	12000042-15	Panel, Right Side Vertical, Sterling Royce
	12000042-14	Panel, Right Side Vertical, Dove Gray
	12000042-21	Panel, Right Side Vertical, Painted
12	16000018	Door Only, Specify Color
13	201678-6	Top, Trim, LS Vinyl Edge





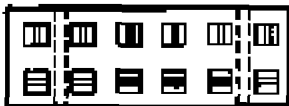
PUSH MOUNT CABLE TIE
380281



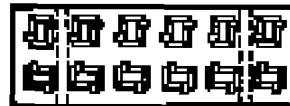
CABLE CLAMP ADHESIVE
34 - 420086
12 - 420086-1



WIRE CLAMP
420081



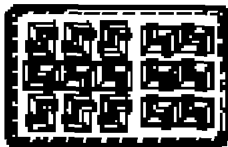
PLUG - 12 PIN
380289



SOCKET - 12 PIN
380290



MOLEX CRIMP TERMINAL
380234



SOCKET 15 CIRCUIT
380276



MOUNTING TYPE
CABLE TIE
380078



2 PIN INTERNATIONAL MOLEX
380281



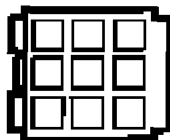
2 PIN INTERNATIONAL MOLEX
RECEPTACLE
380290



4 PIN INTERNATIONAL MOLEX PLUG
380296
3 PIN INTERNATIONAL MOLEX PLUG
FREE HANGING - 380286
PANEL MOUNT - 380286-1



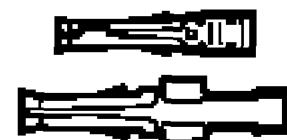
4 PIN INTERNATIONAL MOLEX RECEP
380293
3 PIN INTERNATIONAL MOLEX
RECEPTACLE
380286



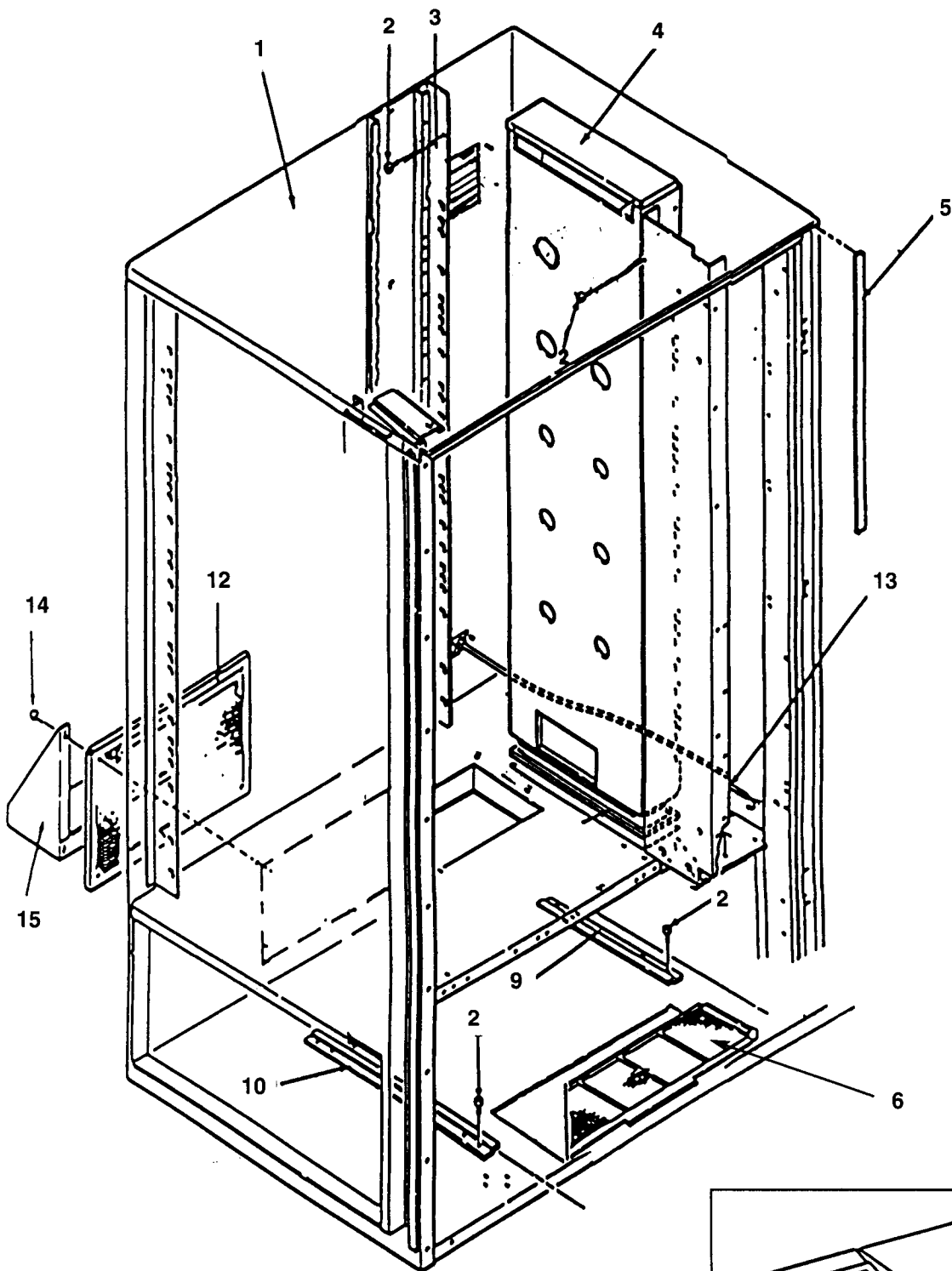
9 PIN INTERNATIONAL MOLEX
PLUG
380282



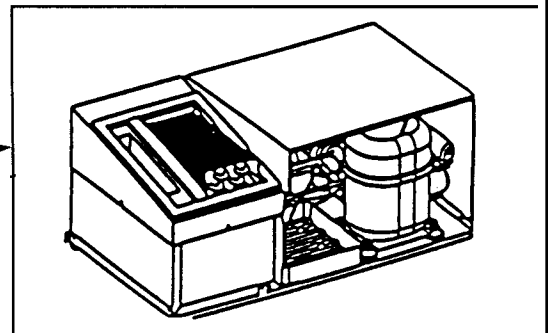
MALE MOLEX TERMINAL
SMALL .063 - 380095
LARGE .062 - 380198



FEMALE MOLEX TERMINAL
SMALL .063 - 380004
LARGE .062 - 380129



11
See Page 59

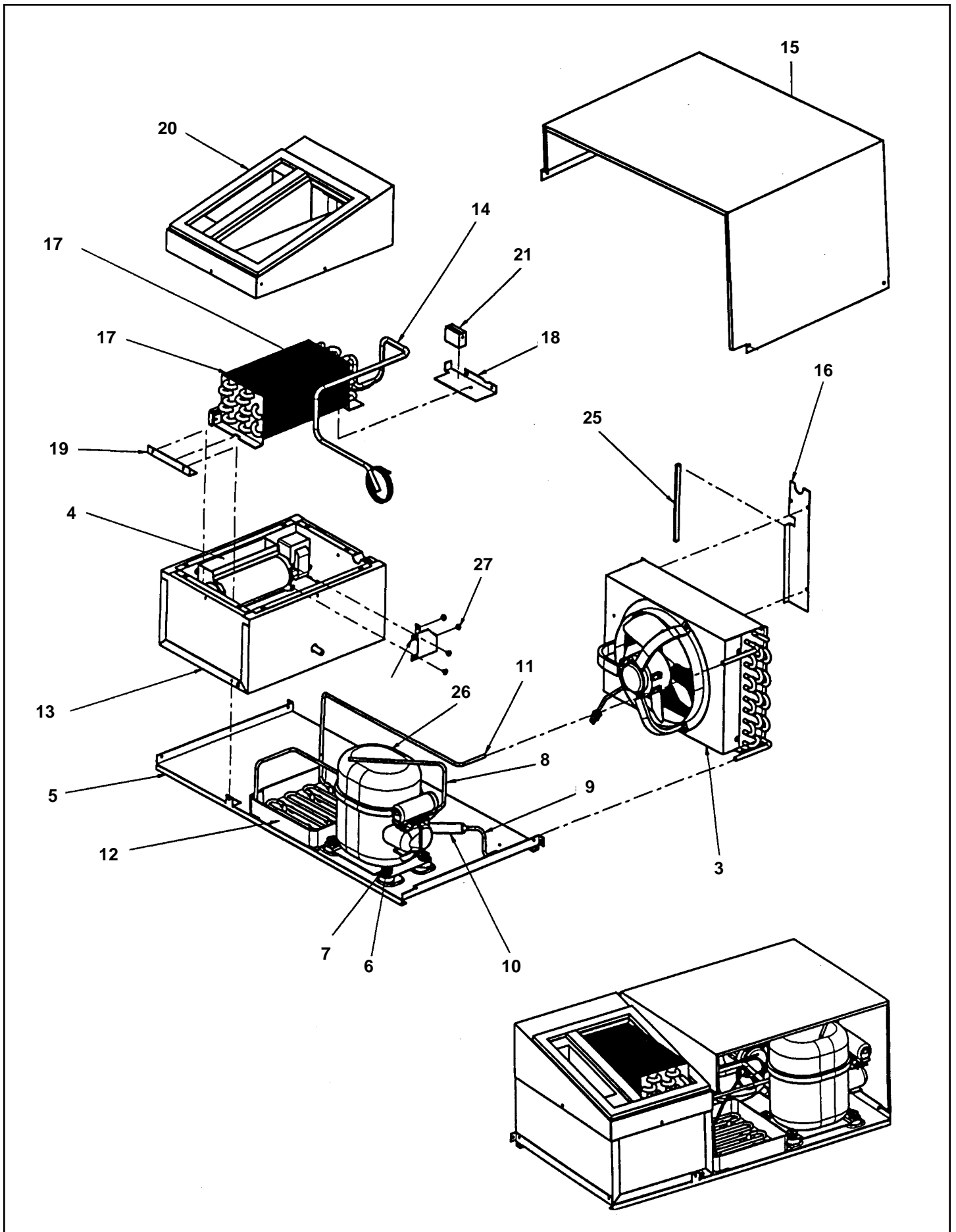


LCM 3 chill machine supplement

Item No.	Part No.	Description
1	750101-23	Assembly Complete. Cabinet & Insulation Only.
2	276-8R6	Screw, Pan Hd.Phillips (8-32 x 3/8).
4	12000087	Air Duct.
5	460468	Door Gasket.Order by Inches (Qty. 80).
6	660692	Front Vent Screen Weld Assembly
9	202145	Right Retainer.
10	202144	Left Retainer.
11	16600041	Refrigeration Assembly Complete 120V, See Page 59 for Itemized Parts.
	16600041-01	Refrigeration Assembly Complete 230V. See Page 59 for Itemized Parts
12	16600047	Back Vent Screen Assembly
13		See Page 19 for List of Line cords
14	276-8R8	Screw, Pan Head, (8/32 x 1/2)
15	202471	Deflector
16	12000003	Bin Close Off Plate (Not Shown)
		INSULATION
	12200001	Right Rear

Item No.	Part No.	Description
	12200002	Right Shelf Support
	12200004	Back Left
	12200008	Shelf Rear
	12200009	Back
	12200010	Pivot Side
	12200012	Left Shelf Support
	12200017	Foam Insulation, Shelf
	12200024	Foam Insulation, Front
	12200025	Foam Insulation, Rear
	12200030	Shelf Front
	12200032	Foam Insulation, Rear Shelf Front Pivot Side
	12200034	Top
	12200035	Lock Side
	12200036	Top Lock Side Insulation Shelf
	12200037	Insulation Back
	12200038	Insulation Cabinet Top
	12200039	Insulation Top Front
	12200053	Right Filler Plate
	420385-1	Insulation Pivot Side Chanel Top, 1/2"
	420386-1	Insulation Pivot Side Chanel Front 3/4"

chill machine supplement LCM 3



LCM3 chill machine supplement

Item No.	Part No.	Description
	16600041 16600041-01 16600108	Refrigeration Assembly Complete 117V, 60 Hz Refrigeration Assembly Complete 230V, 50 Hz Refrigeration Assembly Complete 220V, 60 Hz (Brazil).
1	210-8R6	#8 X 3/8 Screw (all screws)
2	360270 360271 16700004	Compressor 117V, 60 Hz Compressor 230V, 50 Hz Compressor 220V, 60 Hz
3	660720 660720-1	Condenser Complete Domestic Condenser Complete 220-240 V
4	1670003 1670003-01	Evaporator Fan Motor 117V Evaporator Fan Motor 220-240V
5	12000063	Refrigeration Mounting Plate
6	300225	Compressor Mounting Pin
7	420426	Compressor Mounting Clip
8	420425 420425-1 12100006	Tube - Process 117V, 60 Hz Tube Process - 230V,50 Hz Tube Process - 220V, 60 Hz
9	420028	Tube - Condenser Outlet
10	420027	Drier
11	12100001 12100001-01 12100007	Tube - Compressor Discharge 117V,60Hz Tube - Compressor Discharge 230V, 50 Hz. Tube - Compressor Discharge 220V, 60 Hz.
12	440459	Evaporator Pan
13	16400002	Evaporator Housing Assembly
14	12100004	Capillary / Suction Line
15	12000065	Cover Condensing Unit
16	12000064	Bracket - Condensing Unit Cover
17	16600062	Evaporator /Bracket Assembly
18	12000070	Evaporator Bracket Rear
19	12000071	Evaporator Bracket Front
20	16600040	Evaporator Top Assembly
21	13300005	Evaporator Air Block
25	1300001	Gasket, 1/4 X 5/16
26	202893	Evaporator Motor Bracket
27	404 - 08	Hex Nut 8 - 32
		Not Shown
	360270-2 360271-2 16700004-08	Start Capacitor, 117V, 60 Hz Start Capacitor, 230V, 50 Hz Start Capacitor, 220V, 60 Hz
	360270-8 360271-8 16700004-01	Overload Protector, 117V, 60 Hz Overload Protector, 230V, 50 Hz Overload Protector, 220V, 60 Hz
	360270-7	Retainer Clip (overload)
	368270-11 360271-11 16700004-10	Start Relay, 117V 60 Hz Start Relay, 230V 50 Hz Start Relay, 220V, 60 Hz
	360270-14	Electrical Cover
	360270-9	Clip, Electrical cover
	360270-4	Compressor Clip

Item No.	Part No.	Description

COINCO LCM CONTROLLER

P1 POWER IN

- 1 24 VAC HOT
- 2 GROUND
- 3 24 VAC NEUTRAL

P2 SELECTION SWITCHES

KEY	PIN #1	PIN #2
A	1	8
B	1	8
C	1	7
D	3	7
E	4	7
F	4	8
G	3	4
H	8	9
1	2	12
2	3	12
3	2	3
4	9	11
5	3	5
6	5	11
7	6	8
8	8	11
9	6	7
10	7	11
	7	8
	8	11

P3 COIN MECH.

- 1 TX +
- 2 TX -
- 3 RX -
- 4 GND -
- 5 RX +
- 6 24 VAC HOT
- 7 KEY
- 8 24 VAC RET
- 9 ME9100 DETECT

P4 BILL VALIDATOR

- 1 RENA1
- 2 KEY
- 3 KEY
- 4 RENA2
- 5 KEY
- 6 GND
- 7 INT
- 8 PARSER
- 9 SENDESC
- 10 DATA
- 11 \$1 CREDIT
- 12 \$5 CREDIT
- 13 +5 VDC
- 14 ESCAPEESC
- 15 \$1 & \$5 ENABLE
- 16 HOT
- 17 RET

P5 US COIN MECH. AND L+

- 1 GND
- 2 KEY
- 3 24 VDC HOT NF
- 4 KEY
- 5 DATA
- 6 INT
- 7 ACCEPT
- 8 MECH RESET
- 9 SEND
- 10 +5 VDC
- 11 GND
- 12 MIDDLETUBE
- 13 RIGHTTUBE
- 14 LEFTTUBE
- 15 FOURTHTUBE

P6 MOTOR DRIVE

- 1 ROW A
- 2 ROW B
- 3 ROW C
- 4 ROW D
- 5 ROW E
- 6 ROW F
- 7 ROW G
- 8 ROW H
- 9 KEY
- 10 COL 1
- 11 COL 2
- 12 COL 3
- 13 COL 4
- 14 COL 5
- 15 COL 6
- 16 COL 7
- 17 COL 8
- 18 COL 9
- 19 COL 10

LCM KEYPAD PINOUTS

Button	Common	Pin #1	Pin #
A	13	1	9
B	13	1	8
C	13	1	7
D	13	3	7
E	13	4	7
F	13	4	8
G	13	3	4
H	13	8	9
1	13	2	12
2	13	3	12
3	13	2	3
4	13	3	11
5	13	3	5
6	13	5	11
7	13	5	6
8	13	6	11
9	13	6	7
10	13	7	11
^	13	7	8
v	13	8	11

Keypad operates with common (#13) plus 2 others.

P8 MULTI-DROP BUS (MDB)

- 1 24 VUN
- 2 KEY
- 3 GND
- 4 RXD
- 5 TXD
- 6 GND
- 7 NC

trouble shooting chart

Problem	Cause	Remedy
No power	No lights	Check wall outlet for correct wiring, and line cord. See page 3.
	Lights work - no power to board	Check transformer outputs & circuit breakers
	No power to the board	Check wiring connections
	Defective power board	Replace power board
	Display blank	<i>LCM machines-24VAC at white wires at P1</i>
Won't take coins	No power to machine	Check wall outlet, line cord & voltage
	Defective changer	Replace changer
	Machine only accepts one coin	Machine lost its vend prices - reprice and test
	Defective circuit breaker	Replace circuit breaker
	No power to coin payouts	Replace power board <i>or logic board on LCM machines</i>
Won't payout coins/incorrect change returned	No voltage	Check voltages
	Defective power board	Replace power board
	Defective coin mechanism.	Replace coin mechanism.
	Jammed coins in tube	Remove coins
Won't take bills	No coins in coin tubes	Fill coin tubes
	Belts or stacker doesn't run on power-up	Check for 24 VAC at P1
	Belts run-bill goes half way but won't accept	Replace validator
Says make another selection	Motor ½ cycled	Home motor and retry <i>/LCM do mode 5 test vend</i>
	Selection lost its price	Reset prices
	Motor won't turn	Swap shelves with another shelf and retry
		Check shelf harness connection to board
		Check 24VAC to logic board <i>/white wires LCM</i>

trouble shooting chart _____

Problem	Cause	Remedy
Use correct change	Coin tubes empty	Re-fill coin tubes
	Says use correct change with coin tubes full	Replace coin mechanism
Spirals turn more than one turn	Capacitor discharging current	Re-solder capacitor or replace motor
	Loose wire on motor	Repair wire
	Defective motor switch	Replace switch
	Defective control board	Replace control board
More than one motor turns together	One of the motor wires is shorting out	Check each individual motor for loose or pinched wire
	Defective control board	Replace control board
	Incorrect vend motors installed	Gray or black bodied motors for LCM
Unable to enter service mode	Check plugs on control board	Power down and remove and install connectors
	Defective changer	Replace changer
	Defective main board	Replace board
Coin mechanism jackpots	Incorrect voltage	Check voltages \pm 10%
	Defective coin mechanism	Replace coin mechanism
	Defective board	Replace control board
Motor doesn't home on door close	No voltage	Check for correct voltages
	Defective door switch	Replace door switch
	Defective board	Replace board

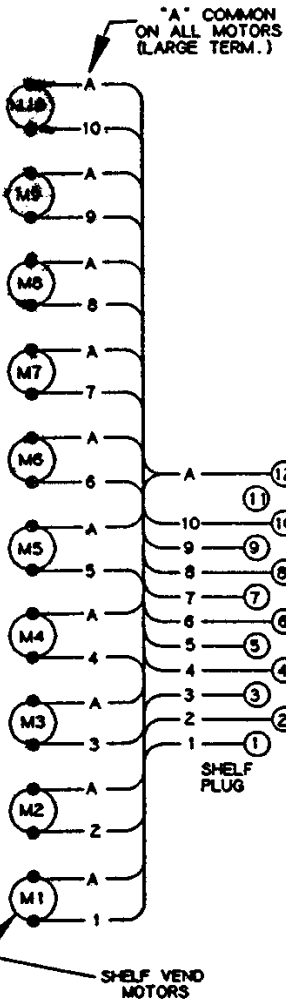
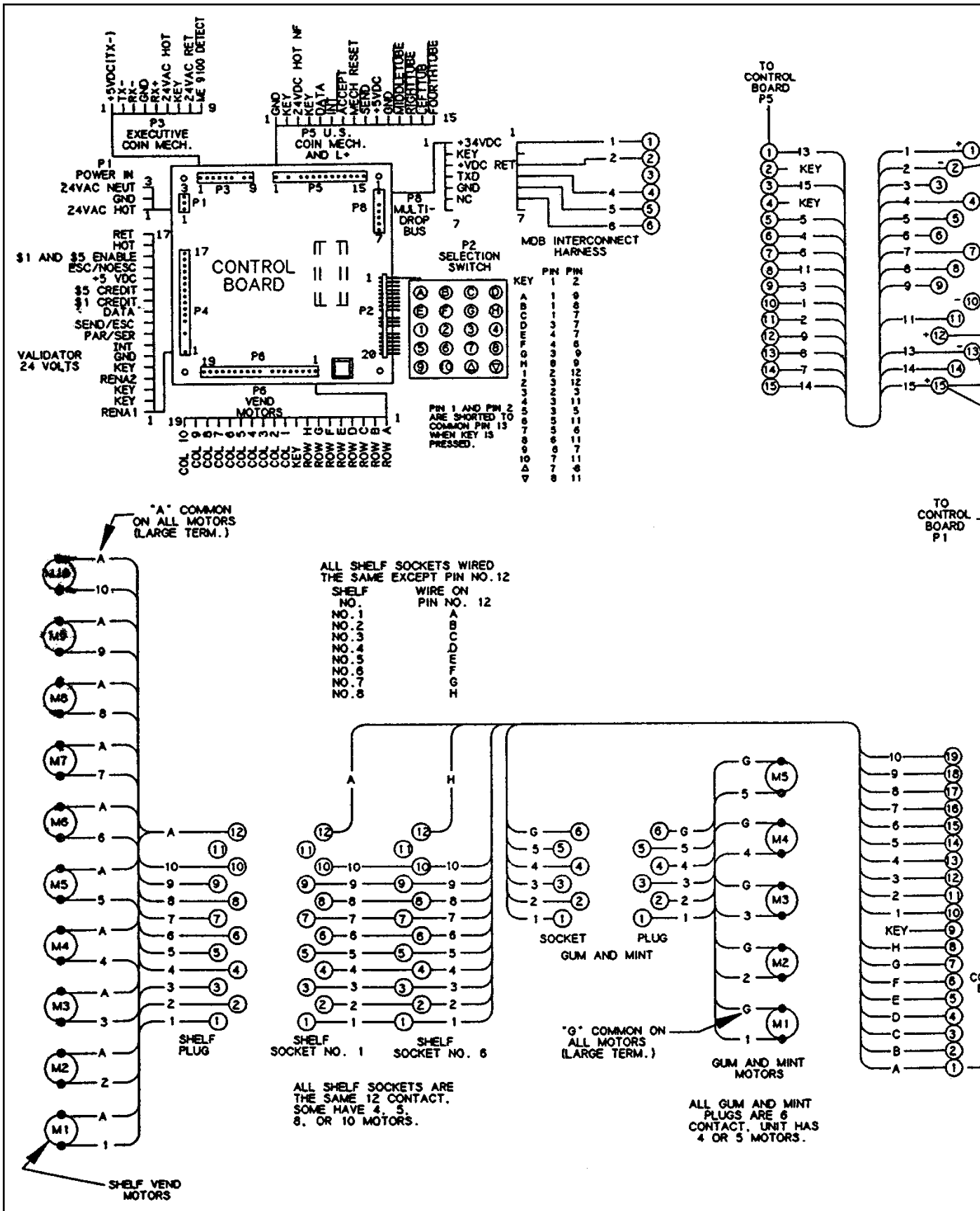
multi-drop bus errors

The following table lists the Multi-Drop Bus errors that may be displayed in the Diagnostics Mode:

Multi-Drop Bus Error	Display
Invalid changer scale factor	"CscF"
Defective coin tube sensor	"tSnS"
Coin jam detected	"CJAM"
Coin tube jam detected	"tJAM"
Coin acceptance problem detected	"CnEr"
Acceptor unplugged	"AcEr"
Coin changer ROM checksum bad	"ChEr"
Invalid acceptor scale factor	"bScF"
Defective bill sensor	"bSnS"
Bill jam detected	"bJAM"
Bill stacker is full	"stFL"
Bill cash box is out of position	"Cshb"
Bad bill motor detected	"bMtr"
Bill acceptor ROM checksum bad	"bLEr"
Invalid card reader scale factor	"rScF"
Card error detected	"CdEr"
Invalid card detected	"bCrd"
Card reader jam detected	"rJAM"
Communications error detected	"CoEr"
Card reader failure	"brdr"

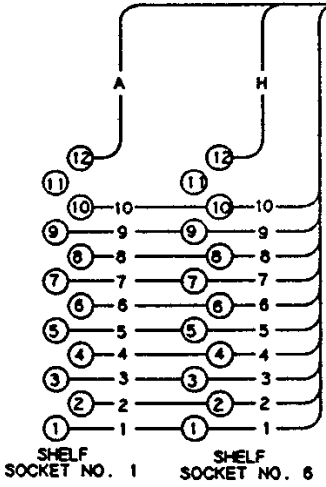
notes

notes

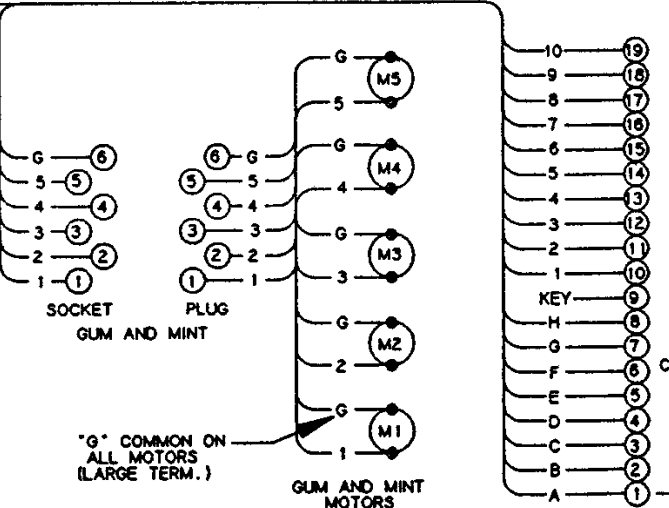


ALL SHELF SOCKETS WIRED THE SAME EXCEPT PIN NO. 12

SHELF NO.	WIRE ON PIN NO. 12
NO. 1	A
NO. 2	B
NO. 3	C
NO. 4	D
NO. 5	E
NO. 6	F
NO. 7	G
NO. 8	H



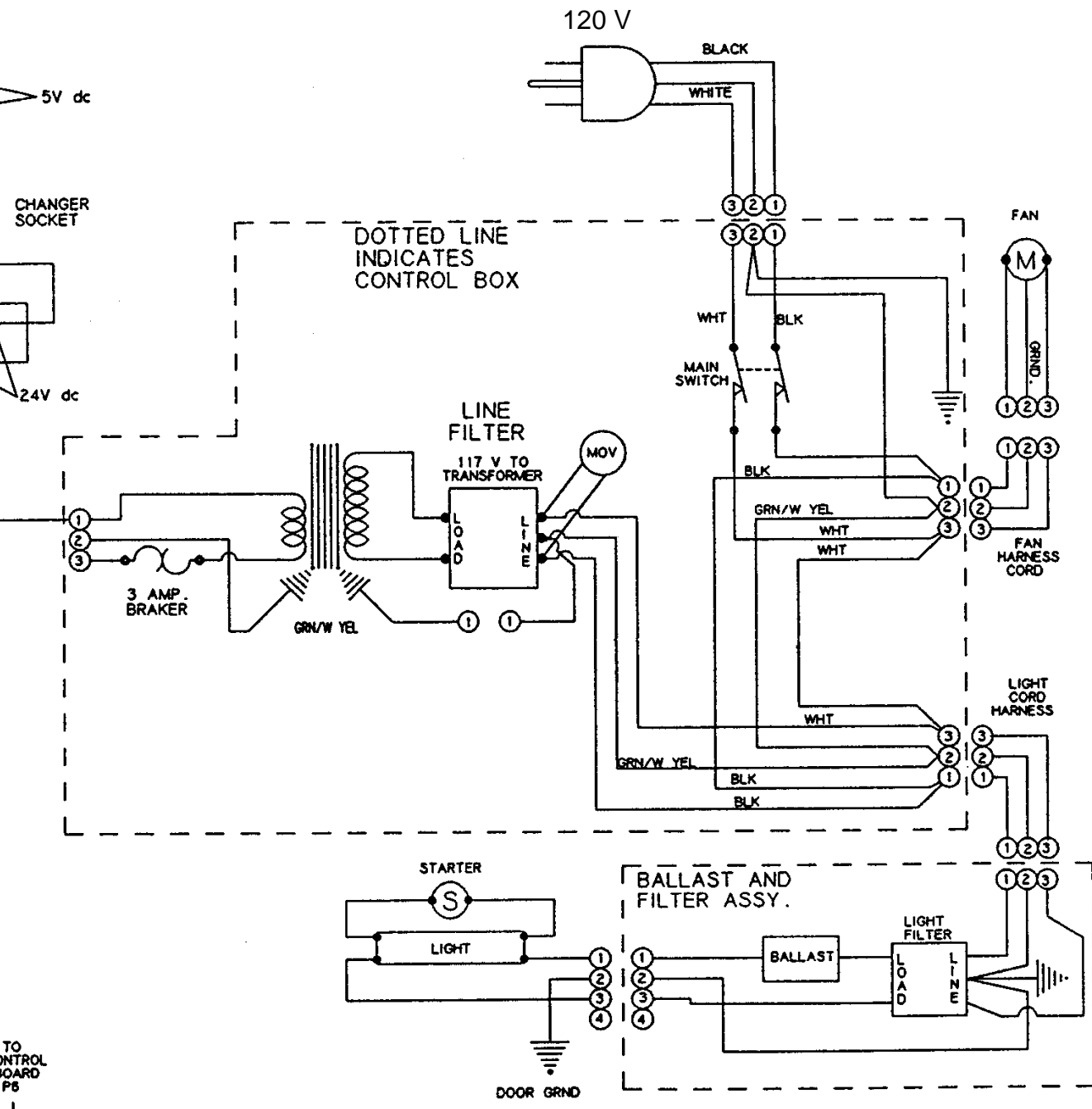
ALL SHELF SOCKETS ARE THE SAME 12 CONTACT. SOME HAVE 4, 5, 8, OR 10 MOTORS.



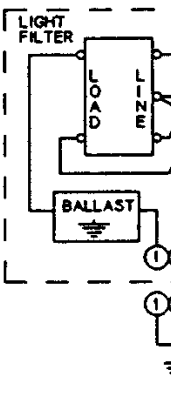
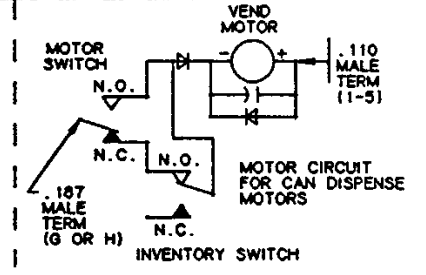
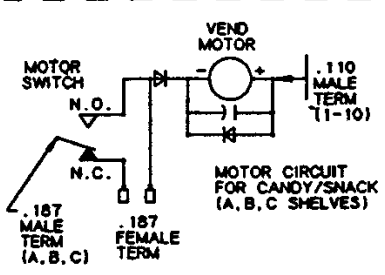
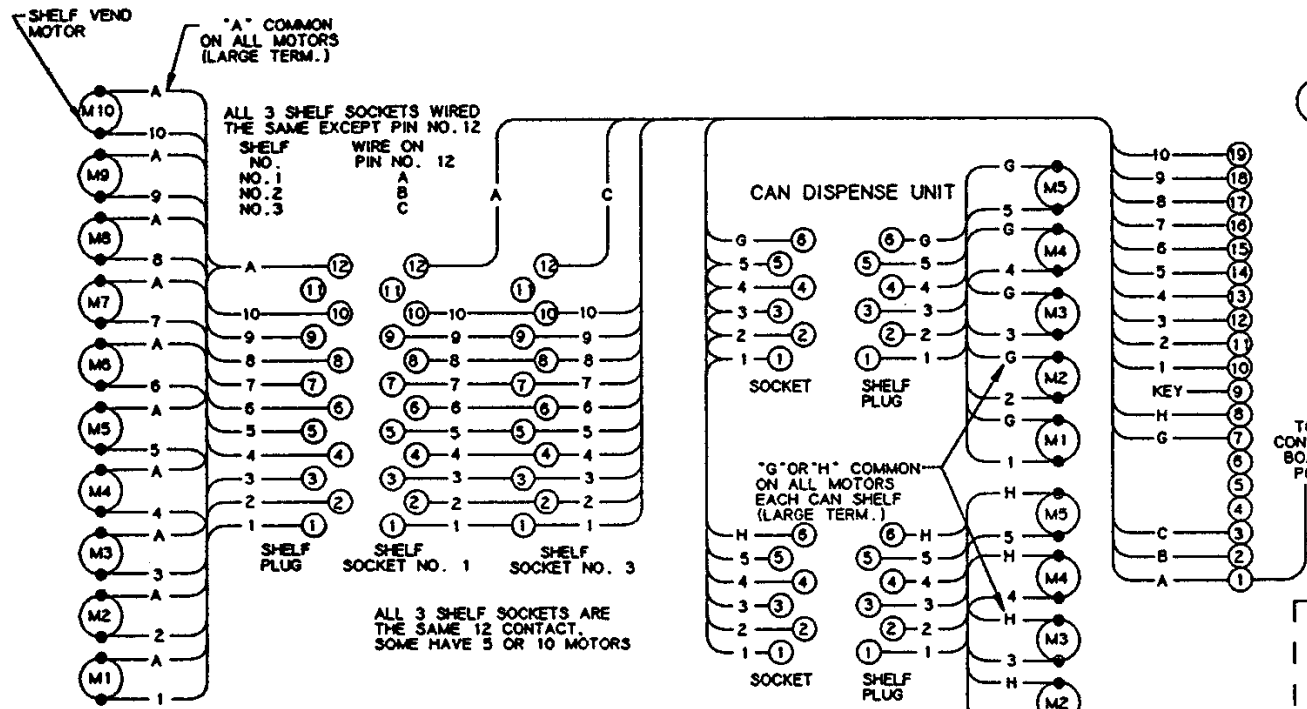
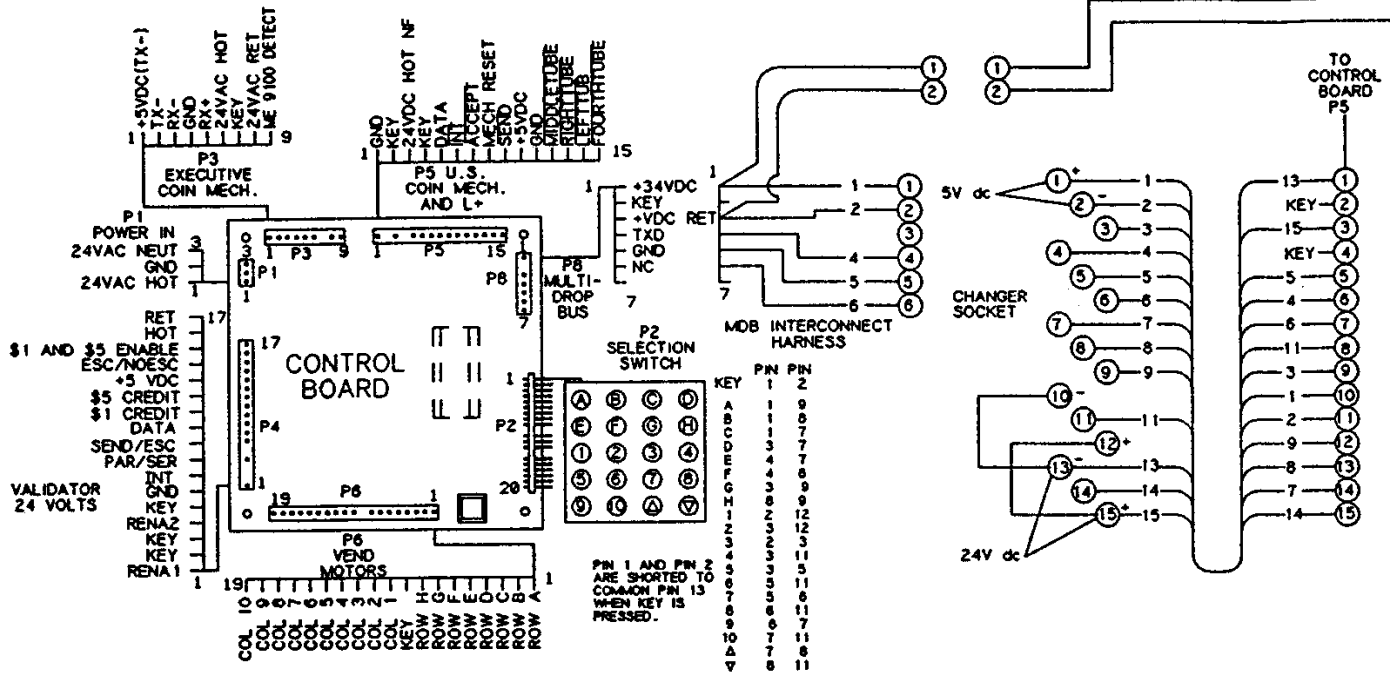
"G" COMMON ON ALL MOTORS (LARGE TERM.)

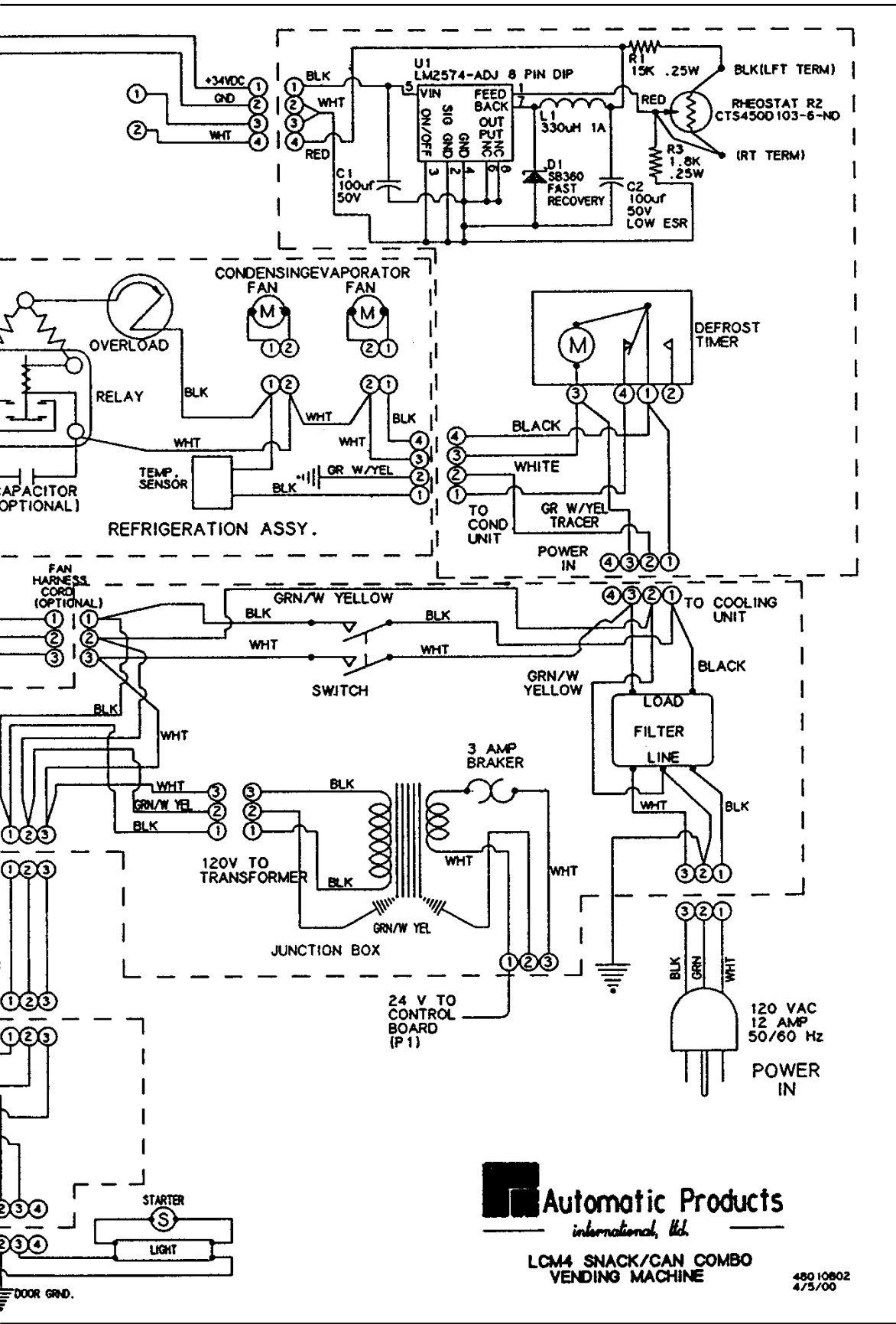
ALL GUM AND MINT PLUGS ARE 6 CONTACT. UNIT HAS 4 OR 5 MOTORS.

TO CONTROL BOARD P1



Automatic Products
international, llc.
LCM 1, 2, 3 MACHINES

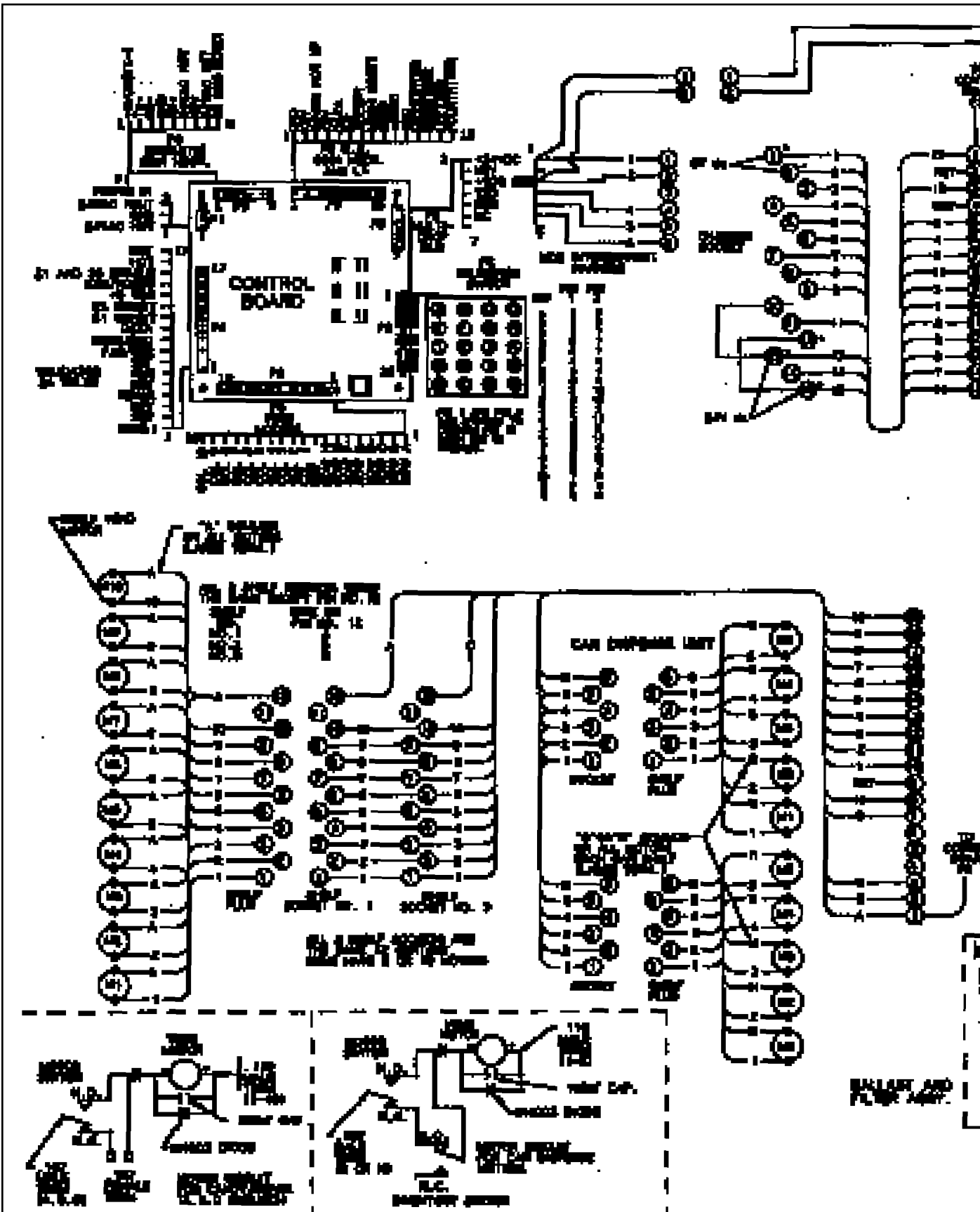


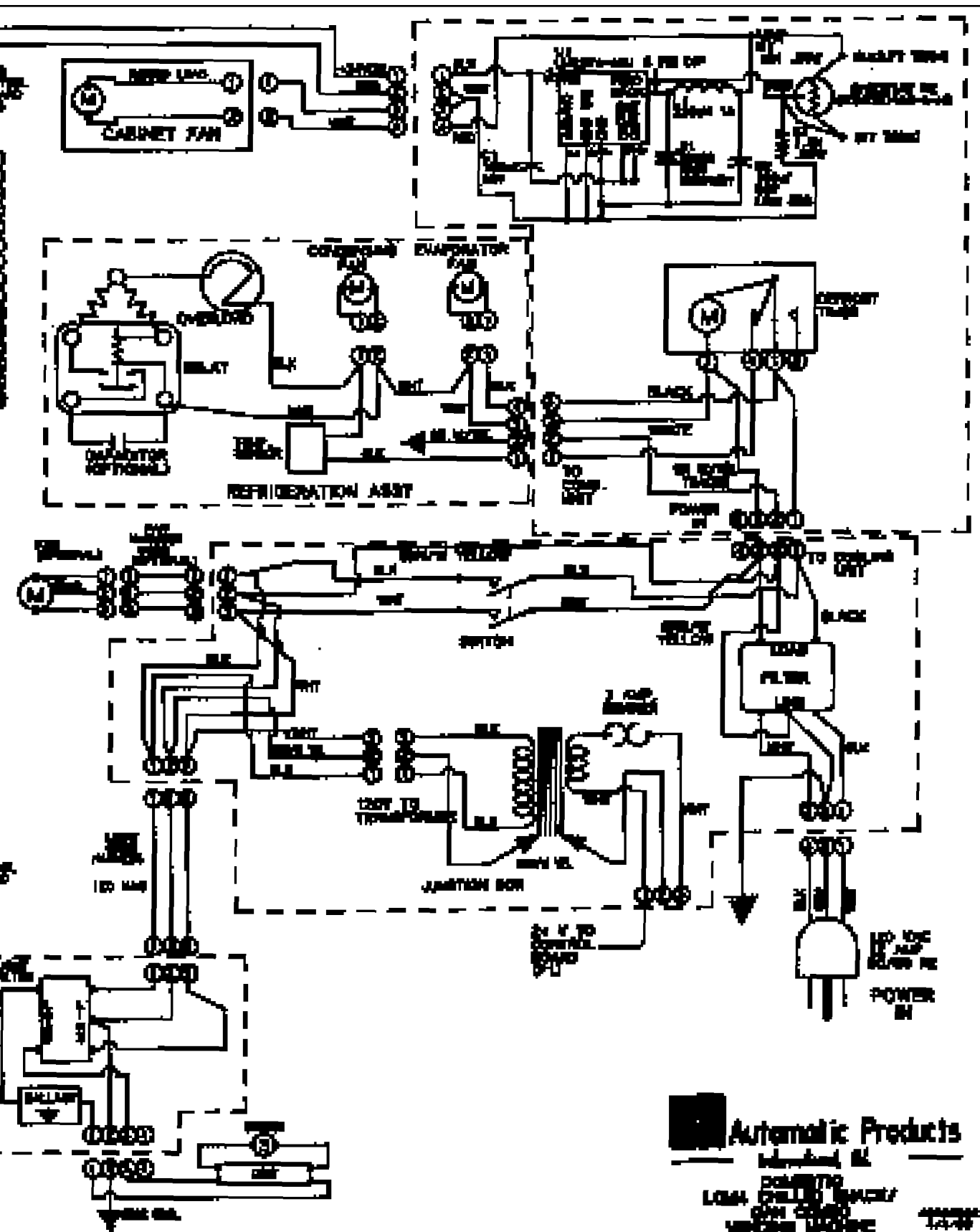


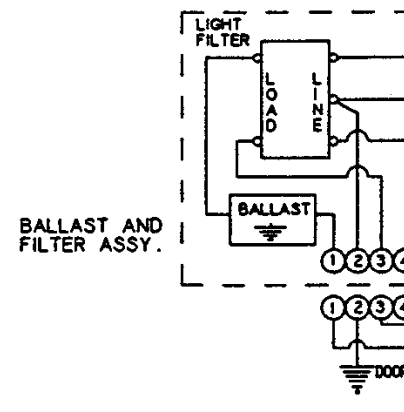
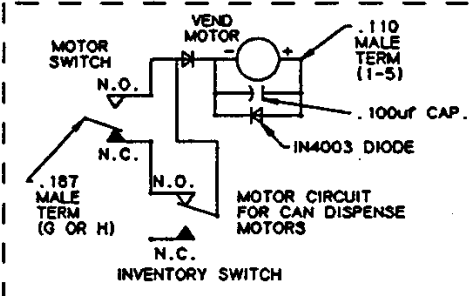
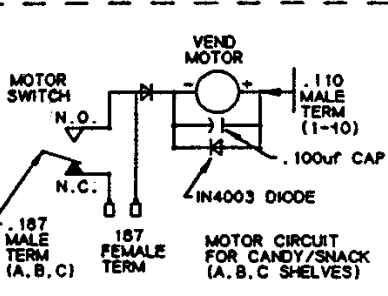
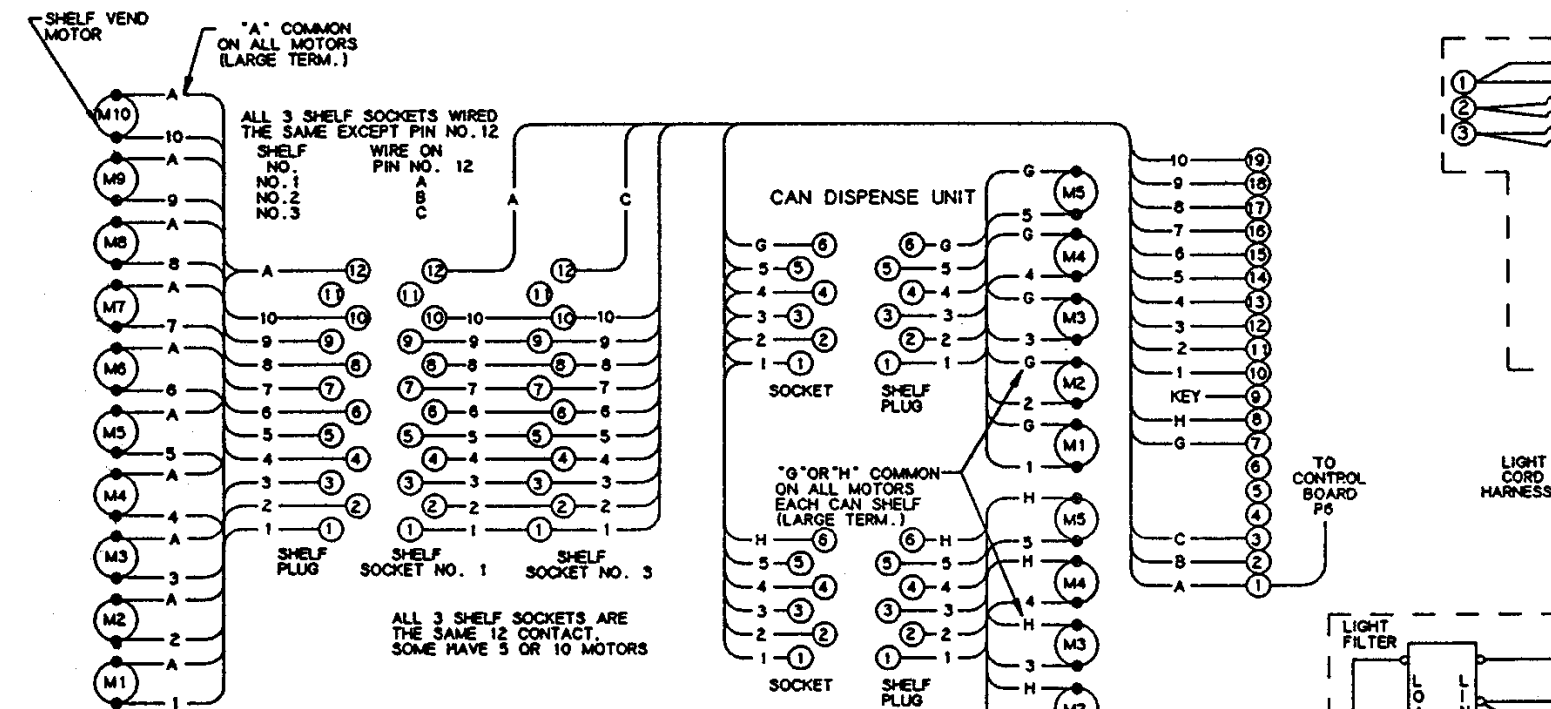
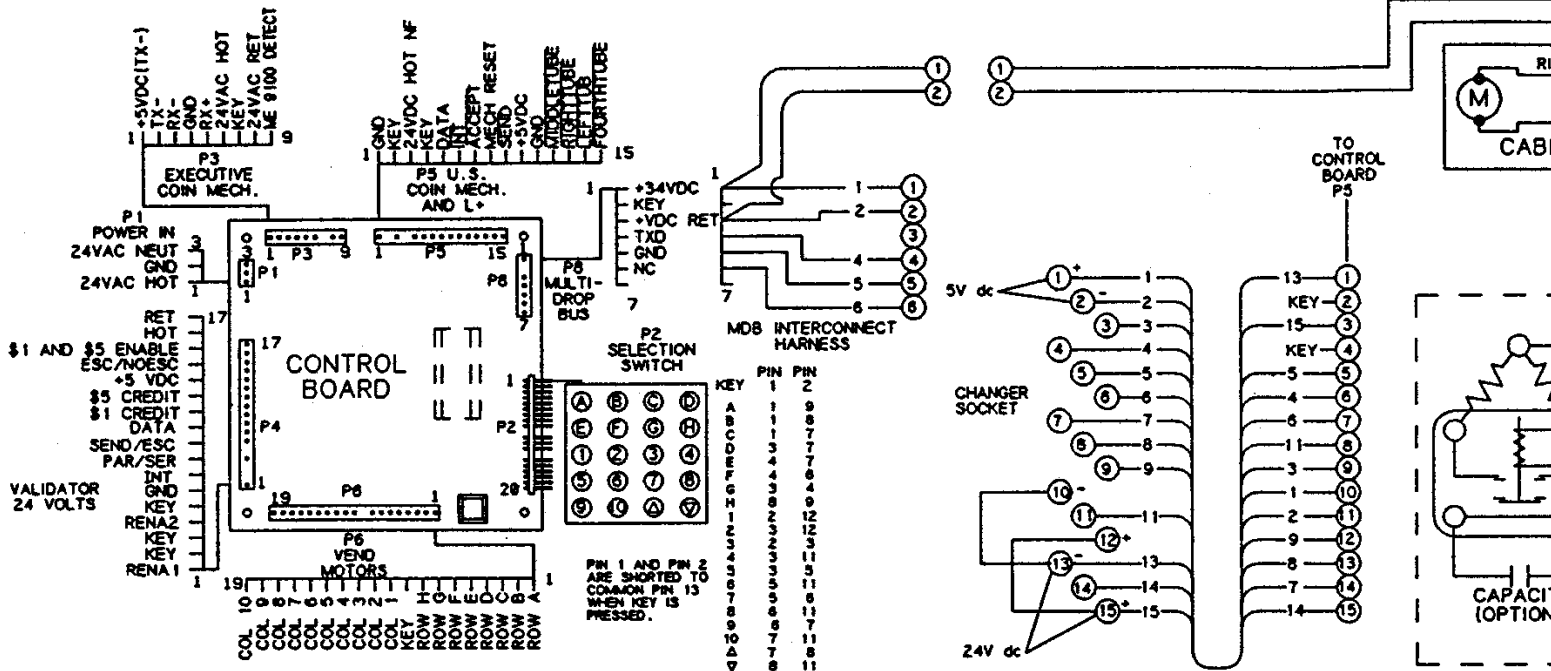
Automatic Products
international, llc

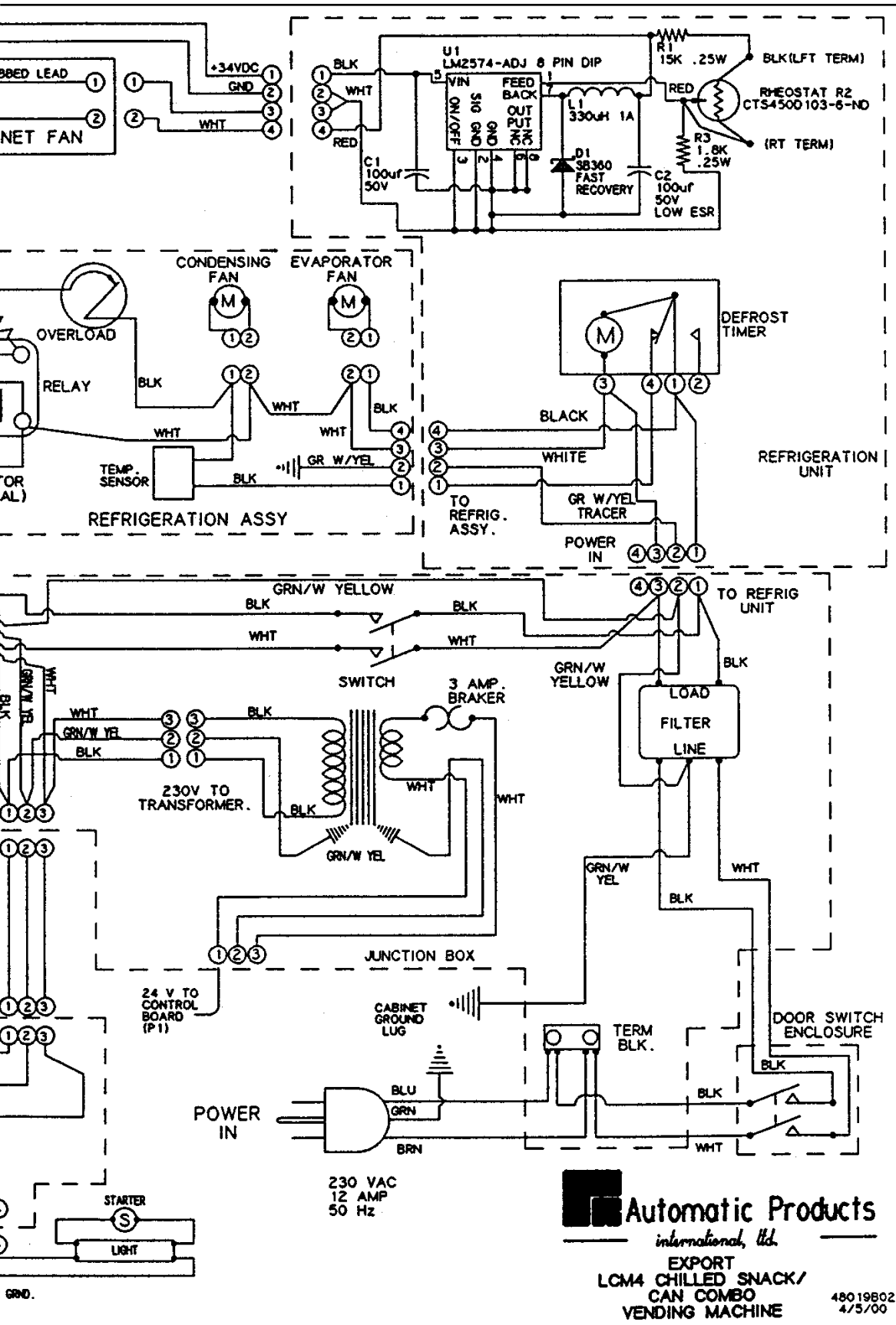
LCM4 SNACK/CAN COMBO
 VENDING MACHINE

480 10802
 4/3/00





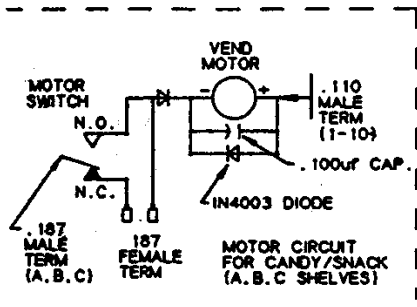
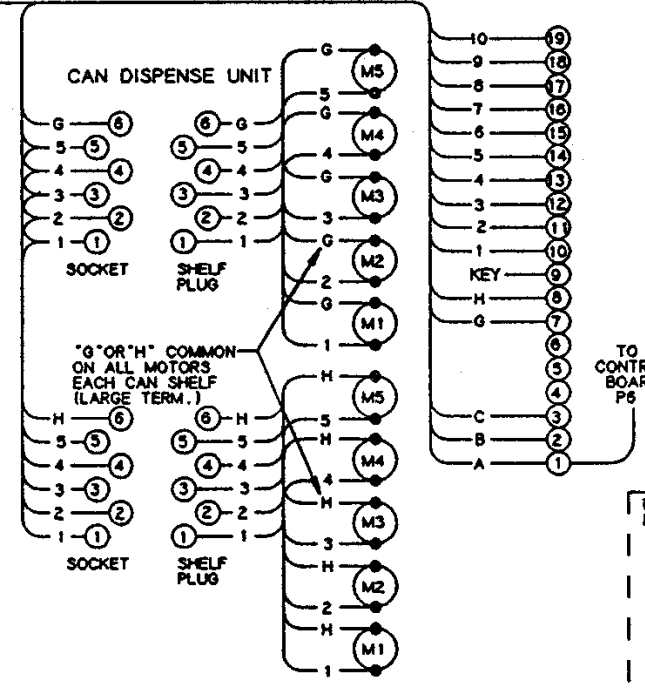
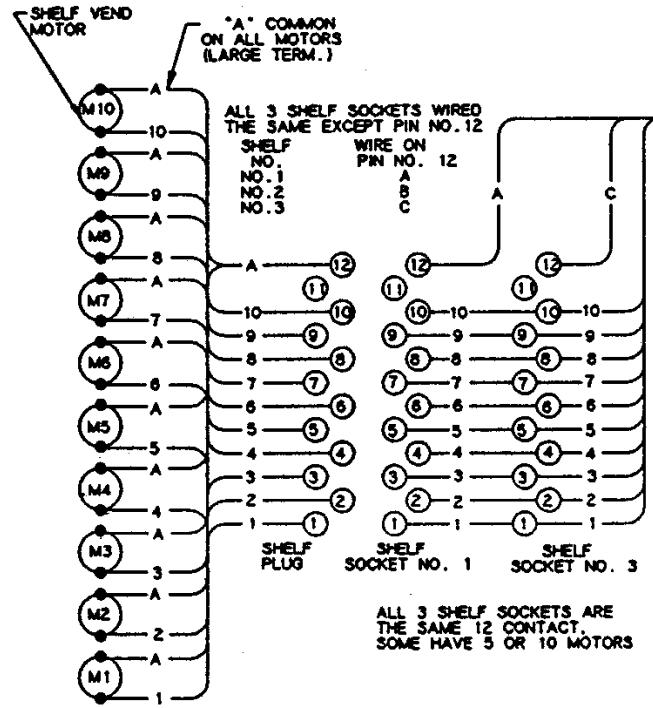
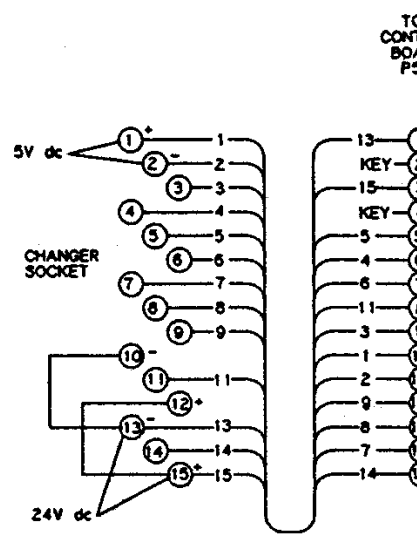
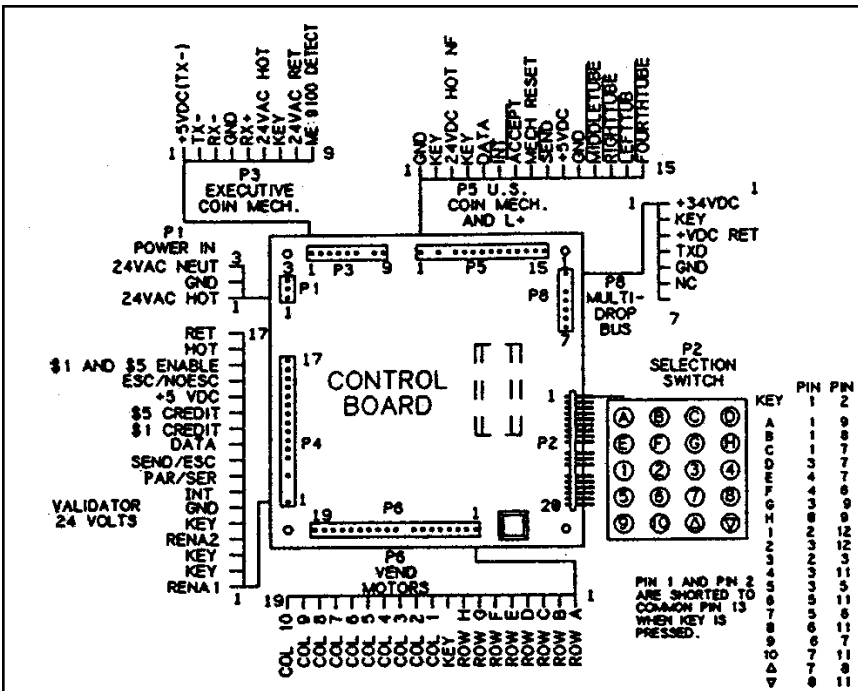




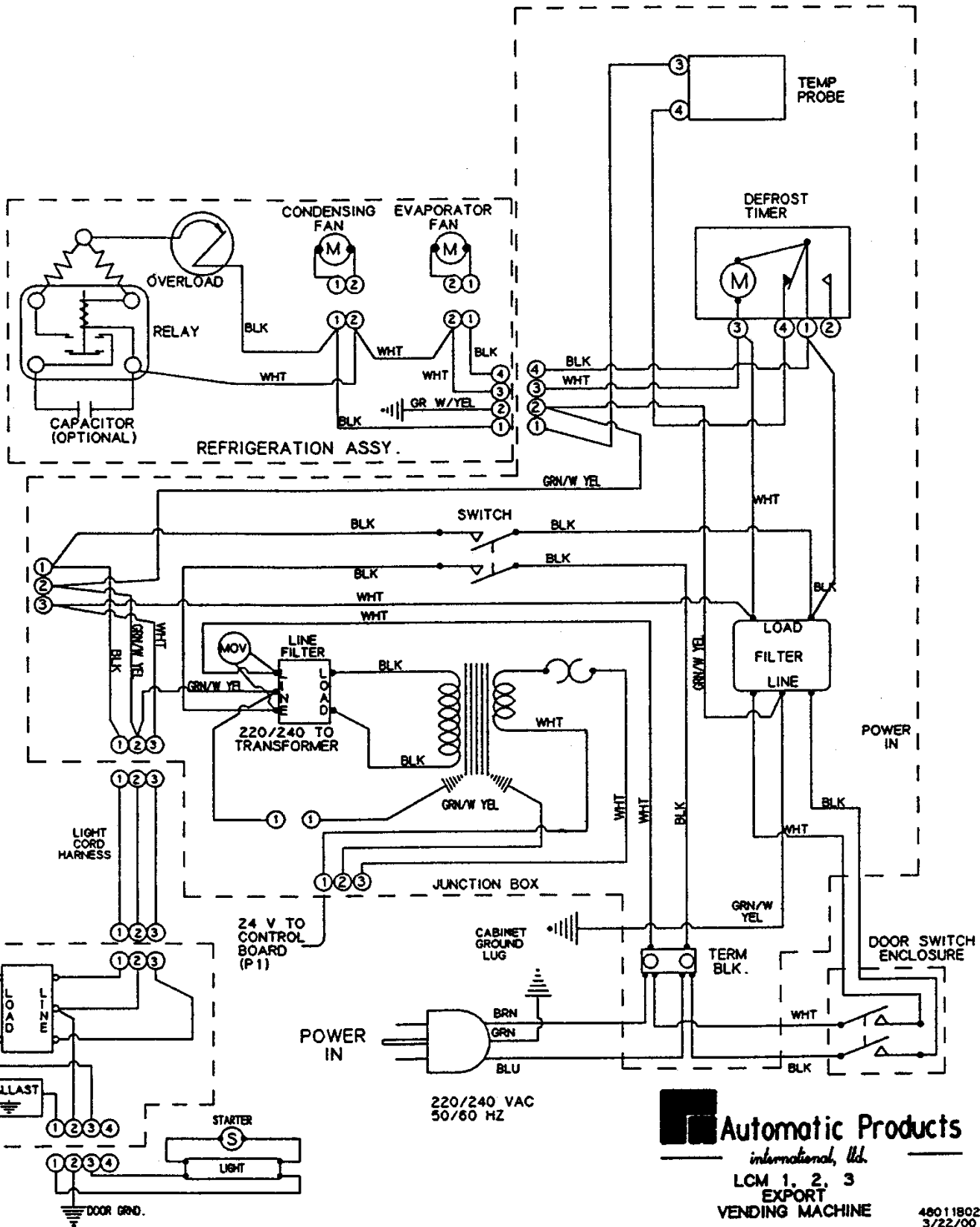
Automatic Products
international, ltd.

EXPORT
 LCM4 CHILLED SNACK/
 CAN COMBO
 VENDING MACHINE

48019802
 4/5/00



ROL
RD



Automatic Products
international, llc.
 LCM 1, 2, 3
 EXPORT
 VENDING MACHINE

46011802
 3/22/00